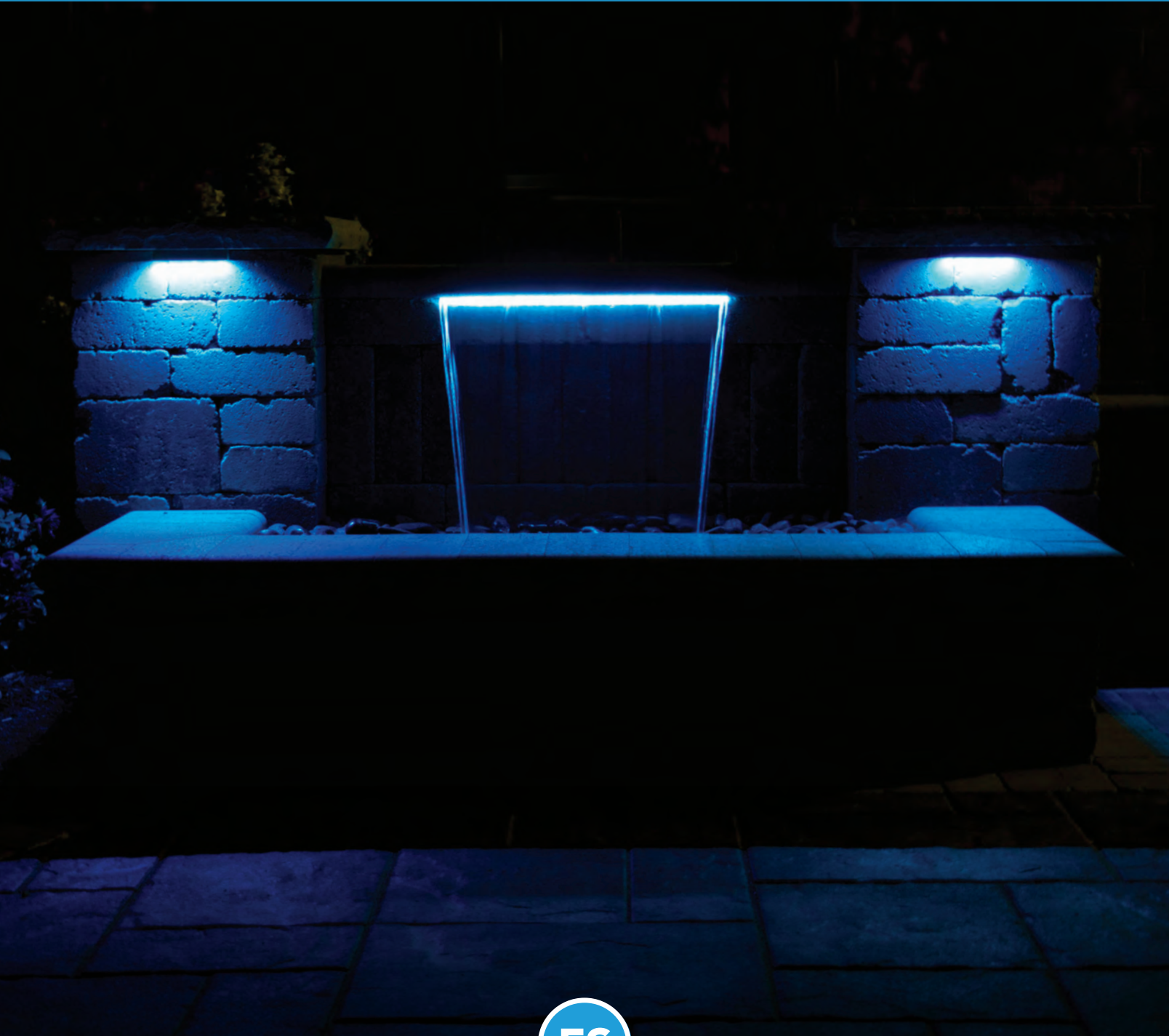




# FORMAL SPILLWAYS



Atlantic Formal Spillways are the perfect turnkey water feature for every hardscape. Easy installation, low operating cost and almost no maintenance make Formal Spillways the hassle-free way to add the sight and sound of water to your backyard oasis.



# WHAT IS A FORMAL SPILLWAY?

Formal Spillways are an elegant way to add the allure of falling water to any vertical wall. Whether solid brass Spouts, stainless steel and copper finish Spillways or illuminated Colorfalls, all Formal Spillways have an overflowing lip or edge built into or onto a vertical surface, with a basin below to catch the falling water. Basins may contain a pump, or the circulation system may be located remotely.

## BENEFITS OF FORMAL SPILLWAYS

Formal Spillways offer an elegant alternative to more naturalistic ponds and waterfalls.

- Versatile - Whether the situation calls for gentle screening white noise or a more subtle, silent water feature, with lots of action or a smooth sheer descent, there is a Formal Spillway for every wall.
- Adaptable - Designed to complement hardscape installations, these wall-mounted water features can accommodate any type or width of wall, brick or stone, tile or wood, for almost limitless design options.
- Economical - Requiring modest pumps that cost little to operate and maintain, spillways can be turned on and off at will to control costs even further.
- Customizable - Synchronize with Atlantic SOL Warm White or Color Changing LED Spotlights, Hardscape Lights, Spout Lights and Light Rings to illuminate the entire landscape.

## THE ATLANTIC FORMAL SPILLWAY SYSTEM

Atlantic's Formal Spillway System takes the guesswork out of adding water to your landscape or hardscape. Minimal noise and splash make this system ideal for indoor applications as well. Convenient Basin Kits include everything needed for installation, saving time and money. All components are matched for perfect performance every time.

- Double filter mats keep debris out of the system, eliminating time consuming cleanouts
- Basin Kits require no guesswork for installation and accommodate all spillway options up to 36 inches wide
- Dimensions of basins work well with all engineered stone systems
- High efficiency pumps and top quality components keep cost of operation minimal
- Water flow is adjustable to achieve the perfect effect regardless of location
- The rigid basins are completely weatherproof and carry a lifetime warranty

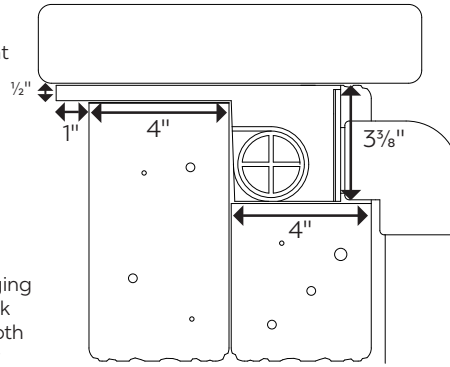


- 1 Formal Spillway Basins are seamless, leak-proof and molded in sizes that complement most modular wall and paving systems, for easy installation and minimal cutting.
- 2 Built-in recesses route all the plumbing beneath the basin, including Auto Fill feed lines and low voltage wiring for accent lighting.
- 3 Basin Kits include all plumbing and fittings needed for installation, with a single union ball valve for easy pump removal and adjustment of water flow to the spillway.
- 4 All plumbing is contained inside the perimeter of the basin, allowing retaining wall blocks to surround the basin with no notching or cutting.
- 5 Internal Matala filtration prevents any debris from entering the pump and spillway, cleaning the water and diffusing turbulence for even water flow from the spillway.
- 6 Large pump chamber accommodates the appropriate TidalWave pump with room for the installation of an Auto Fill Valve.
- 7 Complete Basin Kits work interchangeably with all Atlantic Formal Spillway styles: Colorfalls, Color Changing Colorfalls, and Spillways.
- 8 Atlantic Splash Rings keep stones in place and splash at bay as effectively as our Splash Mats, but with the appeal of steel and copper. Add an LED Light Ring under the mesh to illuminate the falls from below.

## COLORFALLS

Few features offer the impact of Atlantic Colorfalls, on both the eye and the ear. The first lighted weir designed specifically for water features, Colorfalls enchant with a sparkling sheer descent of water illuminated from within by glowing LED light. Three different sizes of Classic Colorfalls brighten the night in your choice one of three individual colors. For even greater impact, the Color Changing Colorfalls captivate with 48 vibrant colors and numerous color changing patterns.

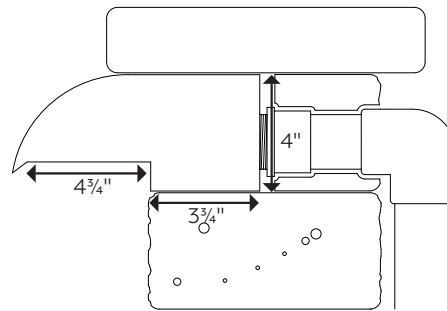
Available in 6", 12", 24" and 36" standard widths, Color Changing Colorfalls can be easily threaded together to form custom illuminated waterfalls of any width in 6" increments. Integrated LED lighting synchronizes with all other Atlantic SOL Color Changing lighting products. Colorfalls are designed to work with most block systems, requiring only solid, level support of the discharge lip both above and below, and access to the removable backing plate for occasional cleaning and eventual light replacement.



## STAINLESS STEEL SPILLWAYS

Where a touch of elegance is required, our Stainless Steel and Copper Finish Spillways with optional matching Splash Rings bring sleek, sophisticated style to your garden or patio. Durable 304 stainless steel and an open, non-clogging design makes these weirs suitable for open basin applications.

The 316 stainless steel versions are chlorine-resistant, to add a gleaming metallic touch to pool and spas as well. 12", 24" or 36" in width, Spillways are the exact height of 4" wall stones, and their structural construction easily handles 80 lbs. per foot loads, making them fast and easy to install in block, brick and stone walls. Downlight from above with Hardscape Lights, or uplight from below with an Atlantic SOL Light Ring.

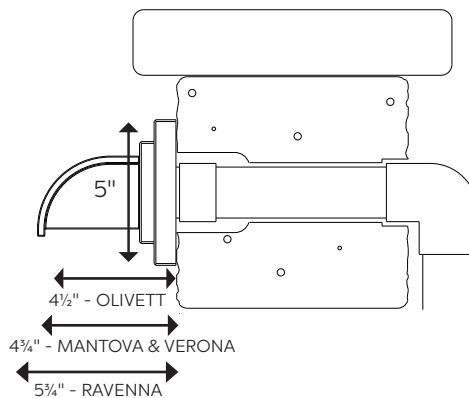


## WALL SPOUTS

Atlantic's solid brass Wall Spouts add old world charm with a modern twist. At almost 3 lbs. of cast brass each, these heavy-duty fixtures feature an oil rubbed bronze finish that evokes the past while fitting in perfectly with contemporary walls and patios.

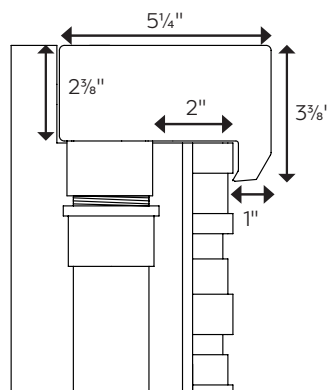
Wall Spouts are as easy to install as they are attractive, threading directly onto an 1/2" male thread protruding from the face of a wall. Wall Spouts feature a bonding lug for installations where grounding is required.

Four different shapes - square, round, diamond and oval, complement any wall style or orientation. For nighttime interest, add the dimension of light with our Atlantic SOL Spout Lights available in Warm White and Color Changing.



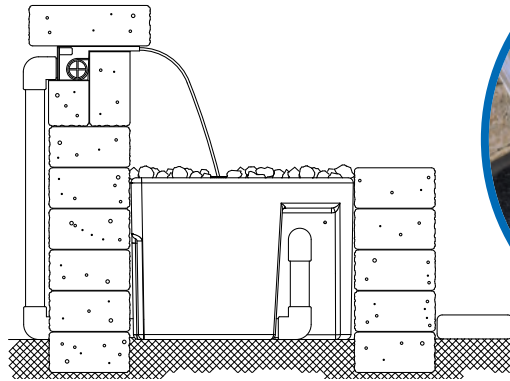
## WATERWALL SPILLWAYS

A new concept in water wall design, Atlantic's new WaterWall Spillways are the first to offer an attractive finish that is designed to be a focal point at the top of the wall. The attractive stainless steel and copper finish spillways don't need to be hidden behind a valance, greatly simplifying installation. Designed to be plumbed from inside wood-framed or masonry walls, the 1/2" female threaded inlet at the bottom center and center rear bonding lug guarantee connections will be hidden. WaterWall Spillways accommodate façades up to 1 1/2" thick feature, and their modular construction creates continuous water walls, weeping walls and rain curtains of any width in 24-inch increments.



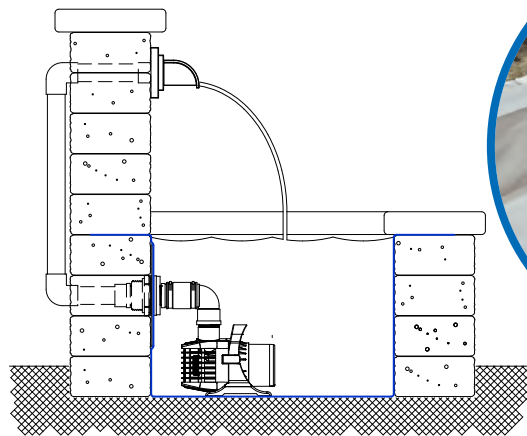
## BASIN KITS

Atlantic Basin Kits are designed to fit all our Formal Spillways perfectly, whether you're adding the shimmering nighttime enchantment of a Colorfalls or the elegant touch of class of the Stainless Steel Spillways. From the pump to the plumbing, Basin Kits provide everything you need to complete the installation, including double filtration, tubing, fittings, Splash Mat, even an Automatic Fill Valve. Three heavy duty basins for 12", 24" and 36" spillways are impervious to weather and temperature extremes, and can be used indoors or out. Basins simply match the spillway to the appropriate basin size and install below the spillway for a complete, splash- and maintenance-free water feature.

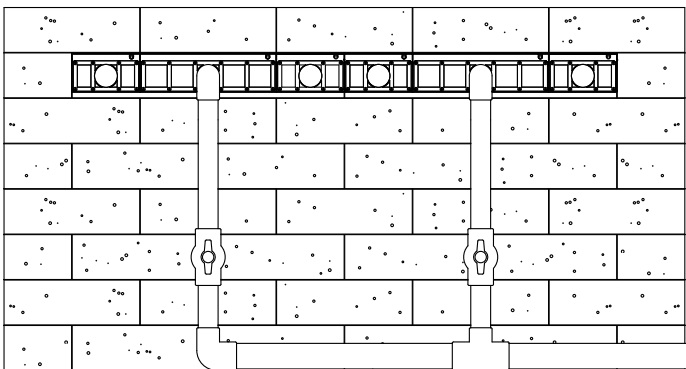


## FLEXIBLE BASINS

Prefer an open basin for your Stainless Steel Spillway or Spouts? Our Flexible Basins are the perfect choice for custom block reservoirs 4, 6 and 8 feet wide, especially in northern climates, where frost proofing masonry can be a concern. Available in tan, grey and black to match or complement block colors, these reinforced PVC reservoirs eliminate corner folds and wrinkles of makeshift EPDM constructs and come pre-punched for included bulkhead fittings with 10" x 10" backing plates for plumbing submersible or external pumps. After the basins are installed, the top edge folds over the block walls so that it can easily be secured by the coping.

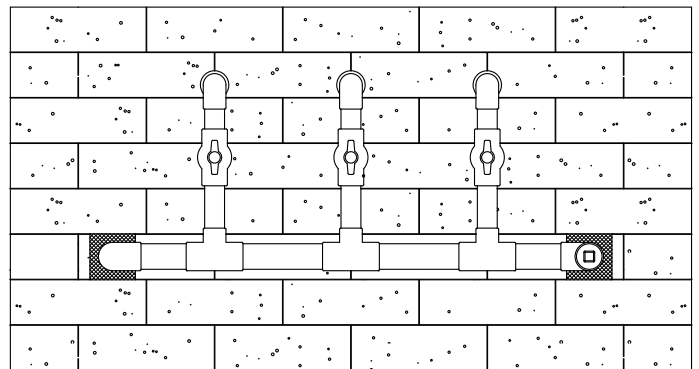


## PLUMBING CONFIGURATIONS



### MULTIPLE COLORFALLS INSTALLATION IN CUSTOM BASIN

To feed multiple Colorfalls create a manifold of 2" pipe with 1/2" risers and valves to balance the flow to two or three Colorfalls. For total flows under 3000 gallons per hour, a single pump may be used; to feed multiple 24" or 36" Colorfalls install a pump at either end of the manifold.



### MULTIPLE SPILLWAY INSTALLATION IN CUSTOM BASIN

To feed multiple spillways create a manifold of 2" pipe with 1/2" risers and valves to balance the flow to two or three spillways. For total flows under 3000 gallons per hour, a single pump may be used; for flows over 3000 gallons per hour, install a pump at either end of the manifold.

