



# Atlantic™

Product Manual | Manuel du Produit | Manual del Producto



FTN CCV18 / FTN CCV24 / FTN CCV32 / FTN CCVX3

1.330.274.8317

[www.ATLANTICWATERGARDENS.com](http://www.ATLANTICWATERGARDENS.com)

## Introduction

Thank you for purchasing Atlantic's Color Changing Fountains – overflowing features that glow from within. During the day these fountains create the welcome sights and sounds of dancing water, bubbling up and cascading down their sides – but in the dark, they come alive with light. A totally new concept, our fountains radiate in 48 different colors, or in 16 different pre-programmed patterns with speed and intensity regulated by remote control.

## Prior to Operation and Installation

### Caution:

- DO NOT operate this product under any condition other than those for which it is specified. Failure to observe these precautions can lead to electrical shock, product failure, or other problems.
- Follow all aspects of electrical codes when installing a Color Changing Fountain.
- To reduce the risk of electrical shock, connect only to a 110 volt receptacle protected by a ground fault circuit interrupter (GFCI).
- The input power to the Color Changing Control Module is 12 volt AC. The Control Module can be connected to a larger outdoor lighting transformer; however this must be done between the Control Module and the transformer. Removing the Control Module or tampering with the cord between the Control Module and the Color Changing Fountain will damage the light ring and void warranty.
- The Control Module is weather resistant with an IP54 rating. Do not submerge the Control Module or expose it to heavy rainfall. It must be mounted off the ground close to the power source. Failure to do so will void the warranty.

## Installation

### Fountain Installation

- Atlantic Color Changing Fountains have been designed to work in conjunction with Atlantic Fountain Basins, Fountain Plumbing Kits and Mag-Drive Series pumps. Please review the instructions included with these products before you begin installation to ensure that all components of your project are installed correctly.
- Begin installation by connecting the  $\frac{3}{4}$ " standpipe to the Spinweld® fitting on the top of the fountain. Insert the threaded end of the standpipe into the bottom of the fountain. Align the threads on the standpipe with the Spinweld® fitting and tighten by turning in a clockwise direction.
- Slide the light ring over the standpipe so that the LEDs are facing upward into the fountain. Install the  $\frac{3}{4}$ " insert x  $\frac{3}{4}$ " socket elbow on the bottom of the standpipe. Do not use glue when making this connection so that the fountain and light ring can be easily removed for cleaning or winterization.

**Note:**  $\frac{3}{4}$ " insert x  $\frac{3}{4}$ " socket elbow is included in all Fountain Plumbing Kits.

- Connect the feed line to standpipe and stand the fountain up in the desired location on the fountain basin. Utilize the recessed plumbing channels to route the tubing to the pump chamber. Once all plumbing is completed, cover the Fountain Basin with decorative material (ex. decorative gravel, polished stones, glass beads, etc.) of your choosing to complete installation.

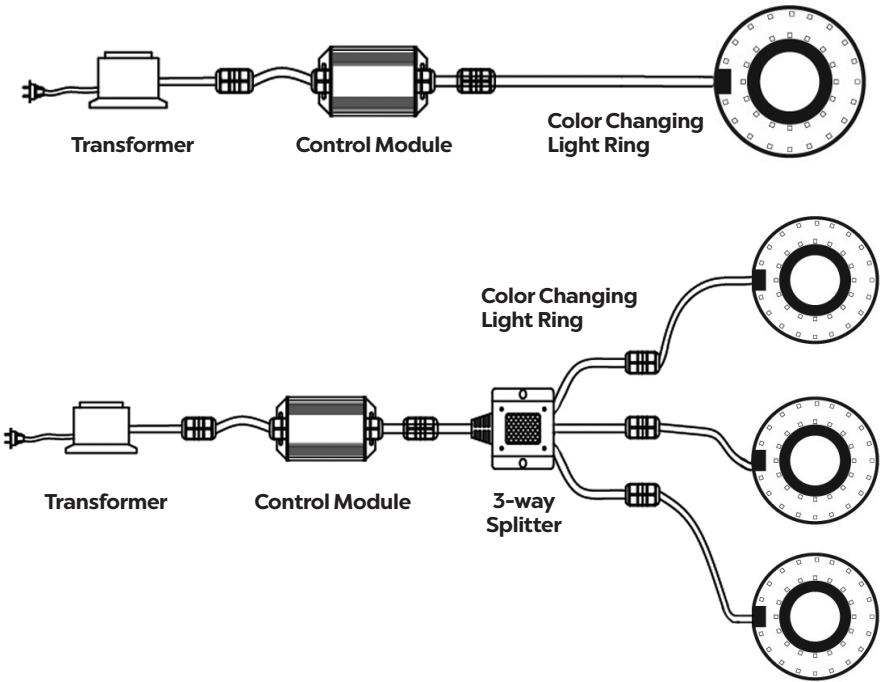


## Control Module Installation

- The Control Module is weather resistant with an IP54 rating. Do not submerge it or expose it to heavy rainfall. It must be mounted off the ground close to the power source. Failure to do so will void the warranty.
- Ensure that all cable connections are secure.
- Install the control box in a well-ventilated area to ensure that the module operates in within its working temperature specified above.
- Verify that the control module input voltage is 12 volt AC. We recommend that you use the transformer provided with this unit.
- Do not connect the power before the cord connections are finished.
- Do not cut or alter the cord between the SOL Light Ring and the Control Module.
- The remote control requires three (3) AAA batteries (not included).

## Connecting the Light Ring

Follow the connecting chart below to connect all cables. Ensure that the unit is not plugged in while connecting.



## Operation

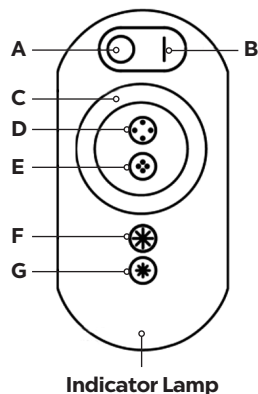
### Technical Data (Control Module)

Working Temperature:  
0°F -140°F (-20°C - 60°C)  
Output: 3 circuits (R/G/B)

Input Power: AC12V  
Output Power: DC12V  
Output Current: 5A /circuit

## Remote Control Functions

<b>A</b>	<b>On/Off Button</b> Touch for one second to turn on or off.
<b>B</b>	<b>Mode Selection</b> Touch to switch between Color Wheel and Preset Light Changing Mode
<b>C</b>	<b>Color Wheel</b>
<b>D</b>	<b>Preset Light Changing Mode Selection (Forward)</b>
<b>E</b>	<b>Preset Light Changing Mode Selection (Backward)</b>
<b>F</b>	<b>Brightness / Speed (Up)</b>
<b>G</b>	<b>Brightness / Speed (Down)</b>



## Preset Light Changing Modes

<b>1</b>	Solid Crystal White
<b>2</b>	Continuous full spectrum fade change
<b>3</b>	Solid Red
<b>4</b>	Solid Green
<b>5</b>	Solid Blue
<b>6</b>	Solid Aqua
<b>7</b>	Solid Purple
<b>8</b>	Solid Yellow
<b>9</b>	Red-Green-Blue jump change

<b>10</b>	7 color jump change
<b>11</b>	Red-Green-Blue dimmer change
<b>12</b>	7 color dimmer change
<b>13</b>	7 color dimmer then 7 color jump change
<b>14</b>	Flashing Red
<b>15</b>	Flashing Green
<b>16</b>	Flashing Blue
<b>17</b>	Flashing Red and Blue

## Mode Selection

- To switch to the Color Wheel: hold the B button for three seconds or until the light changes to Crystal White. Hold down the B button again, and the light will return to the last color displayed while in the Color Wheel mode. Run your finger around the color wheel to select a new color.
- To switch to the Preset Light Changing Modes: hold the B button for three seconds or until the light changes to Crystal White. Hold down the B button again, and the light will return to the last preset mode displayed while in the Light Changing Modes. Press the D and E button to switch between the different preset modes.

## Changing the Brightness and Speed

In Modes 1-8 and 14-16, you can use the F and G keys to change the brightness of the light. In Modes 9-13 and 17, you can use the F and G keys to change the speed of the light transitions. There are 8 levels for each.

## Synchronizing the Remote to the Control Unit

If the remote control stops working properly, please install fresh batteries. If problems persist, the remote may need to be re-synced to the control module. Follow the instructions below to re-sync the remote control.

1. Unplug the transformer
2. Hold the F button down (The red indicator lamp on the remote will be blinking)
3. While still holding the F button down, plug in the transformer. The lights will start blinking.
  - If the light ring blinks three times and stops, the remote and control unit are synchronized.
  - If the light ring blinks six or more times, it is clearing all codes. Repeat steps 1-3.

## Warranty

Color Changing Fountains and all their components carry a one-year limited warranty. This limited warranty is extended solely to the original purchaser commencing from the date of the original purchase receipt and is void if any of the following apply:

- The cord has been cut or altered between the Light Ring and the Control Module.
- The Color Changing Fountain components have been misused or abused.
- The Color Changing Fountain components have been disassembled or modified other than as described in this manual.

The Control Module and/or Remote Control have not been adequately protected from moisture.

## Troubleshooting Guide

Always turn off power before inspecting the Color Changing Fountains. Failure to observe this precaution can result in a serious accident. Before ordering repairs, carefully read through this instruction booklet. If the problem persists, contact your dealer.

Problem	Possible Cause	Possible Solution
Remote is not working (no indicator light)	No batteries / batteries dead	Put in new batteries.
Remote is not working (indicator light is on)	Remote is not synced with Control Module	Refer to synchronizing the remote instructions on page 5
Light Ring will not illuminate	No power to outlet	Confirm power to outlet.
	No power to Control Module	Check all connections, ensure cord is not cut or damaged.
	No Power to Light Ring	Check all connections, ensure cord is not cut or damaged.
Light Ring color differs from remote control	Improper connection between Light Ring and control module	Inspect connection/ align arrow on plugs
	Controller failure	Contact Dealer for repair/ replacement
Multiple Light Rings display different colors	Improper connection between Light Ring and 3-way splitter	Inspect connection/ align arrow on plugs
	Controller failure	Contact Dealer for repair/ replacement



1.330.274.8317

[www.ATLANTICWATERGARDENS.com](http://www.ATLANTICWATERGARDENS.com)