

Filtral UVC 700 / 1200

Operating instructions
Notice d'emploi
Instrucciones de uso



REMINDER

CALL 1-866-627-3435
BEFORE RETURNING TO STORE.

Information about these operating instructions

Welcome to OASE Living Water. You made a great choice with the purchase of this product **Filtral UVC 700/1200**. Prior to operating the unit, please read the instructions of use carefully and fully familiarise yourself with the unit. Ensure that all work on and with this unit is only carried out in accordance with these instructions. Please strictly follow the enclosed instructions to ensure safe and correct handling of the product. Keep these instructions in a safe place. Please also hand over the instructions when passing the unit on to a new owner.

! WARNINGS AND CAUTIONS SYMBOLS

Symbols used in these instructions

The symbols used in this operating manual have the following meanings:



Risk of injury to persons due to dangerous electrical voltage.

This symbol indicates an imminent danger, which can lead to death or severe injuries if the appropriate measures are not taken.



Risk of personal injury caused by a general source of danger.

This symbol indicates an imminent danger, which can lead to death or severe injuries if the appropriate measures are not taken.



Important information for trouble-free operation.

Intended use

Filtral UVC 700/1200, referred to in the following as "unit", may only be used as specified in the following:

- For cleaning garden ponds.
- For operation with clean water.
- Operation under observance of the technical data.

The UVC lamp installed in the unit is intended to kill algae and bacteria in the pond water. Even in small doses, its radiation is harmful for eyes and skin. Never use the UVC lamp in a defective housing or outside the housing, or any other purpose other than that intended.

The following restrictions apply to the unit:

- Do not use in swimming pools.
- Never use the unit to convey fluids other than water.
- Never run the unit without water.
- Do not use for commercial or industrial purposes.
- Do not use in conjunction with chemicals, foodstuff, easily flammable or explosive substances.

Use other than that intended

This unit can be dangerous and cause harm if not used in accordance with these instructions. Any use not in accordance with these instructions or modification(s) to the unit will void the limited warranty.

Installation

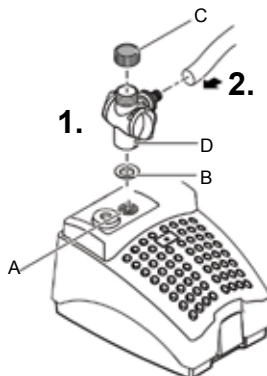
Filtral UVC 700

Important:

- The unit can be used with the following:
 - With the nozzle set to create various fountain displays.
 - With the branch valve, allowing an additional water feature to be operated simultaneously with the fountain nozzle.
- It is recommended to place the unit horizontally on the ground ensuring its stable position.
- Do not lift the unit by its power cord.
- The unit's filter foam, biomedica, UVC and pump are preinstalled in the filter housing.

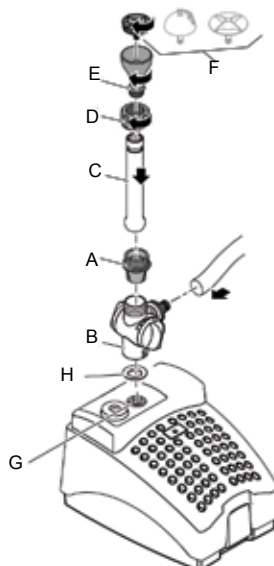
If NOT using the nozzle set

1. Screw the branch valve (D) on the connection thread of the UVC water housing (A) using the washer (B). Close the upper outlet using the cover cap (C).
 2. Connect tubing for water features to the lateral separately regulated connection of the branch valve.
NOTE: Tubing is NOT INCLUDED.
- Connect the other end of the tubing to desired water feature or spitter.



For installation using the nozzle set

1. Assemble the connection element for the ball joint (A) into the branch valve (B).
 2. Slide the clamping screw (D) down the tube and screw on to the connection element for the ball joint (A) to secure the tube.
 3. Screw in the nozzle mounting (E). Select a nozzle insert to use (F). The fountain height and shape depend on the nozzle insert used.
 4. Screw the assembly on the connection thread of the UVC water housing (G) using the washer (H).
 5. If desired, connect tubing for additional water features to the lateral separately regulated connection of the branch valve.
NOTE: Tubing is NOT INCLUDED.
- Connect the other end of the tubing to desired water feature or spitter.



Questions, problems, missing parts?

Before returning to your retailer, call us at 1-866-627-3435, 8 a.m.-6 p.m., EST, Monday-Friday, or email us at customer-care@oase-livingwater.com. Or visit our website at www.oase-livingwater.com

Installation (cont.)

Filtral UVC 1200

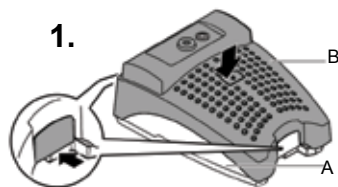
Important:

- The unit can be used with the following:
 - With the nozzle set to create various fountain displays.
 - With the branch valve, allowing an additional water feature to be operated simultaneously with the fountain nozzle.
 - With an air pump to enrich the water with additional oxygen.
- It is recommended to place the unit horizontally on the ground ensuring its stable position.
- Do not lift the unit by its power cord.
- The unit's filter foam, biomedica, UVC and pump are preinstalled in the filter housing.

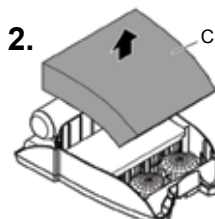
For connecting the air pump (optional)

- Air pump is not included.
- Follow the air pump's instructions for product assembly.
- OASE recommends using the AquaOxy air pump.

1. Pull the clamps on both sides of the bottom strainer casing (A) to the side and lift off the top strainer casing (B).



2. Remove the top foam filter (C).

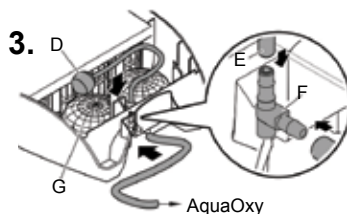


3. Inside the housing, connect the aeration stone (D) with a section of the hose (E) to the air connector (F).

• Place the aeration stone (D) between the gravel bags (G).

• Ensure that the hose is not kinked.

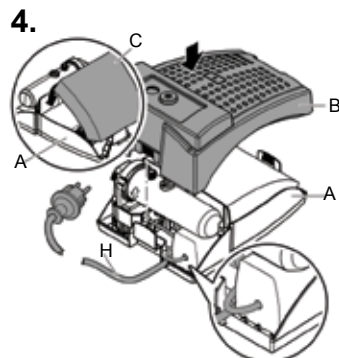
• Connect the aeration pump to the air connector (F) outside of the housing. Read the aeration pump documentation.



4. Place the foam filter (C) in the bottom strainer casing (A).

• Attach the top strainer casing (B) and press it onto the bottom strainer casing (A) until the clamps engage in the bottom strainer casing.

• Important: Lead the connection cable (H) through the cable opening in the bottom strainer casing (A) and route the cable such that pinching is avoided.

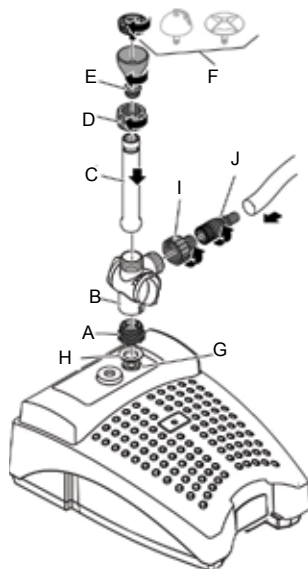


Installation (cont.)

Filtral UVC 1200

For installation using the nozzle set

1. Slide the clamping screw (D) down the nozzle tube (C) and screw on to the branch valve (B) to secure the tube.
2. Screw in the nozzle mounting (E). Select a nozzle insert to use (F). The fountain height and shape depend on the nozzle insert used.
3. Screw the assembly on the reduction element (A). Then screw on to the connection thread of the UVC water housing (G) using the washer (H).
4. If desired, screw the reduction element (I) and the stepped hose adapter (J) on the lateral outlet of the branch valve (B).
 - Connect tubing for additional water features to the lateral separately regulated connection of the branch valve.
 - NOTE: Tubing is NOT INCLUDED.
 - Connect the other end of the tubing to desired water feature or spitter.

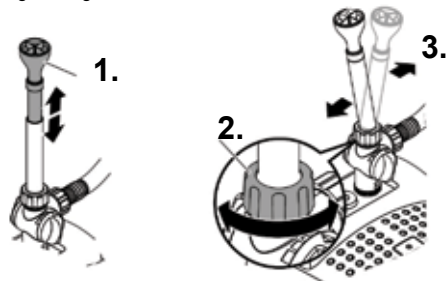


Filtral UVC 700 / 1200

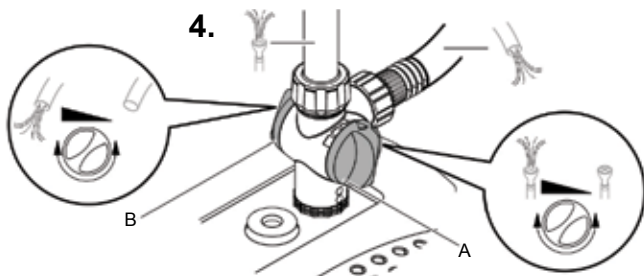
Setting the fountain/water feature

- Install the unit in the pond in a horizontal position on firm, sludge-free ground and ensure that it is completely covered with water.

1. Pull the nozzle tube to the desired length.
2. Loosen the clamping screw to maneuver the nozzle tube.
3. Vertically align the nozzle tube and fasten the clamping screw hand tight.



4. Fully open the rotary regulator (A) for the fountain.
 - The secondary rotary regulator (B) is used to control the fountain/water feature connected to the lateral outlet of the branch valve.
 - The additional water recirculation via the lateral outlet improves the filtering effect, even if the feature or the water course is not connected.



Questions, problems, missing parts?

Before returning to your retailer, call us at 1-866-627-3435, 8 a.m.-6 p.m., EST, Monday-Friday, or email us at customer-care@oase-livingwater.com. Or visit our website at www.oase-livingwater.com

Start-up (Filtral UVC 700 / 1200)

⚠ Attention! Dangerous electrical voltage.
Possible consequences: Death or serious injuries.

Protective measures:

- Electrical units and installations with a rated voltage of $U > 12 \text{ V AC}$ or $U > 30 \text{ V DC}$ located in the water: Isolate the units and installations (switch off and disconnect from the power supply) before reaching into the water.
- Isolate the unit before starting any work.
- Secure the unit to prevent unintentional switching on.

⚠ Grounding instructions

This appliance must be grounded. In the event of a malfunction or breakdown, grounding will reduce the risk of electric shock by providing a path of least resistance for electric current. This appliance is equipped with a cord having an appliance-grounding conductor and a grounding plug. The plug must be plugged into an appropriate outlet that is installed and grounded in accordance with all local codes and ordinances.

Warning

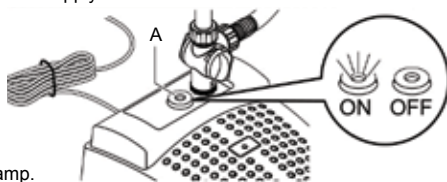
Improper connection of the appliance-grounding conductor can result in a risk of electric shock. Check with a qualified electrician or service representative if you are in doubt whether the appliance is properly grounded. Do not modify the plug provided with the appliance; if it will not fit the outlet, have a proper outlet installed by a qualified technician.

⚠ Attention! Sensitive electrical components.
Possible consequence: The unit will be destroyed.

Protective measure: Do not connect the unit to a dimmable power supply.

Switching on: Connect the unit to the mains.
The unit switches on immediately.

Switching off: Disconnect the unit from the mains.



- The indicator lamp (A) indicates the ON/OFF status of the UVC lamp.

Maintenance and cleaning

⚠ Attention! Dangerous electrical voltage.
Possible consequences: Death or serious injuries.

Protective measures:

- Electrical units and installations with a rated voltage of $U > 12 \text{ V AC}$ or $U > 30 \text{ V DC}$ located in the water: Isolate the units and installations (switch off and disconnect from the power supply) before reaching into the water.
- Isolate the unit before starting any work.
- Secure the unit to prevent unintentional switching on.

⚠ CAUTION

The ultra-violet radiation of the UVC lamp can burn your eyes and skin.

- Never operate the UVC lamp outside its casing.
- Never operate the UVC lamp in a casing that is defective.

⚠ Danger: Ultraviolet radiation.

Do not expose eyes to lamp rays.

Disconnect power before servicing or replacing lamp.

Replace lamp only with lamp rated 7 watts (UVC 700) 9 watts (UVC 1200):

Warning: To reduce the risk of electric shock - Connect only to a circuit that is protected by a ground-fault circuit interrupter (GFCI)

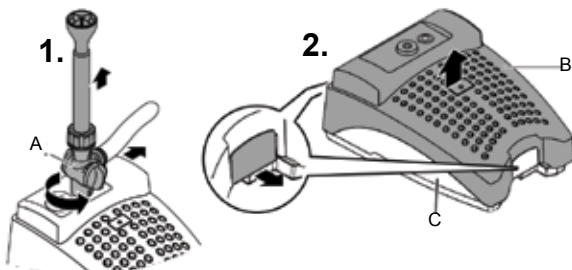
For indoor and outdoor household use

Maintenance and cleaning (cont.)

Opening the filter housing and cleaning the different filters

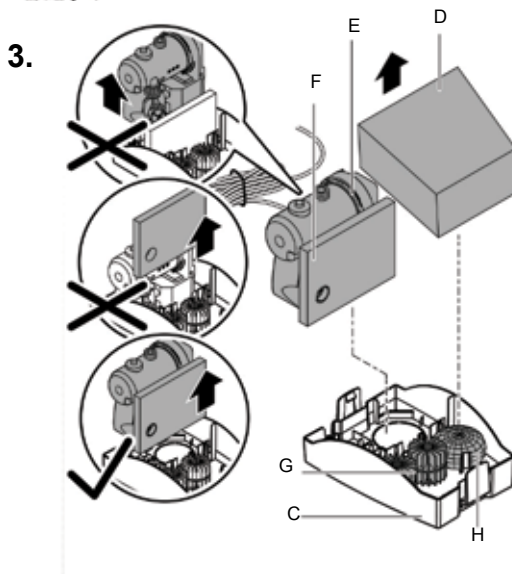
Filtral UVC 700

1. Unscrew the branch valve (A) and the attachment elements.
2. Pull the clamps on both sides of the bottom strainer casing (B) to the side and lift off the top strainer casing (C).



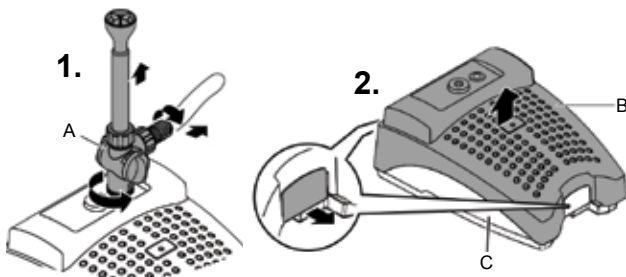
3. Remove the foam filter (D) and the UVC clarifying unit including pump (E), and the fine foam filters (F), bio surface elements (G) and the gravel bag (H).

- Clean the bottom strainer casing (B) and the top strainer casing (C) with clear water using a brush.
- Wash out foam filters (D, F), bio-surface elements (G) and the gravel bag (H) under running water.
- Do not use chemical cleaning agents as they would kill the micro-organisms in the different filter media. At the beginning, this entails a reduced filter capacity.



Filtral UVC 1200

1. Unscrew the branch valve (A) and the attachment elements.
2. Pull the clamps on both sides of the bottom strainer casing (B) to the side and lift off the top strainer casing (C).

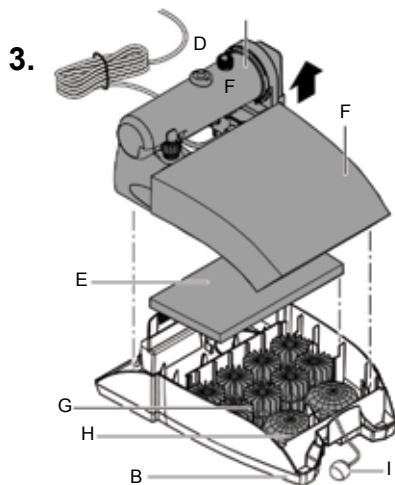


Questions, problems, missing parts?

Before returning to your retailer, call us at 1-866-627-3435, 8 a.m.-6 p.m., EST, Monday-Friday, or email us at customer-care@oase-livingwater.com. Or visit our website at www.oase-livingwater.com

Filtral UVC 1200 (cont.)

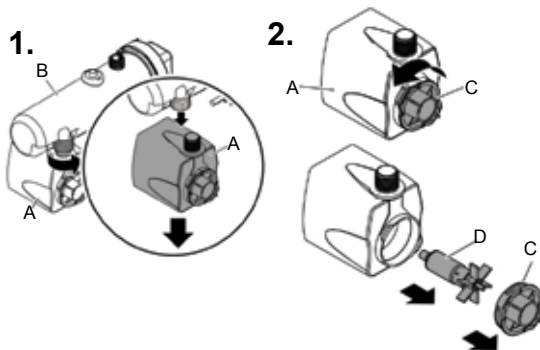
3. Remove the UVC clarifying unit including pump (D), foam filters (E, F), bio surface elements (G) and gravel bags (H).
- If an air pump was installed: put the aeration stone (I) to the side.
 - Clean the bottom strainer casing (B) and the top strainer casing (C) with clear water using a brush.
 - Wash out foam filters (E, F), bio-surface elements (G) and the gravel bag (H) under running water.
 - Do not use chemical cleaning agents as they would kill the micro-organisms in the different filter media. At the beginning, this entails a reduced filter capacity.



Cleaning the pump

Filtral UVC 700 / 1200

1. Unscrew the pump (A) from the UVC water housing (B). Remove the pump and place the UVC water housing to the side.
 2. Unscrew the pump lid (C) by turning counter-clockwise (bayonet closure) and remove rotor (D).
 3. Clean all pump components using clean water and a brush. After cleaning the pump, reassemble the pump in the reverse order.
- If you intend on cleaning the UVC water housing do not screw the pump back into the housing.



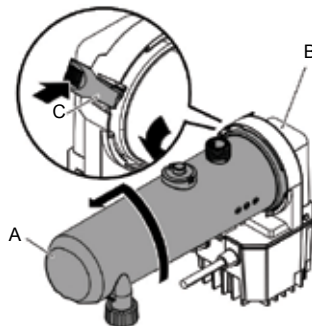
Opening and cleaning the UVC water housing

Filtral UVC 700 / 1200

NOTE

For safety reasons, the UVC lamp can only be switched on when the unit head has been correctly fitted into the casing

- The UVC water housing (A) is fastened to the unit head (B) by means of a bayonet closure.
1. Press on the engagement lug (C) at the unit head (B), turn the UVC water housing (A) counter-clockwise and carefully pull it off the unit head (B).
 2. Clean the UVC water housing (A) under running water. Check the quartz glass for damage and clean its outer face with a moist cloth.



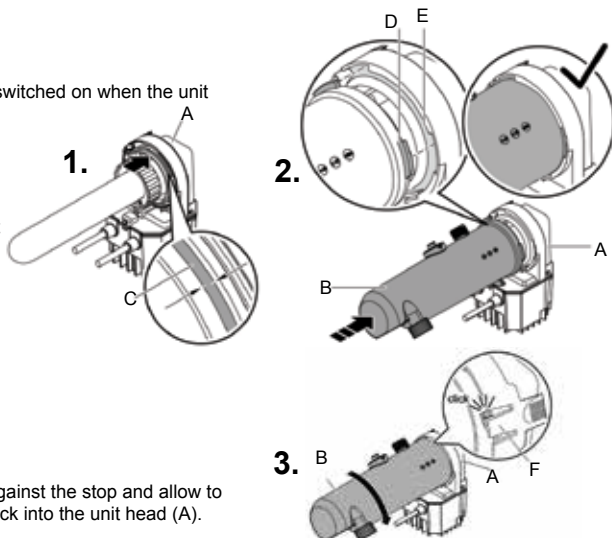
Closing the UVC water housing

Filtral UVC 700 / 1200

NOTE

For safety reasons, the UVC lamp can only be switched on when the unit head has been correctly fitted into the casing

- Check the O ring (C) for damage.
1. Place the O ring (C) on the recess at the unit head (A).
 2. Carefully push the UVC water housing (B) on the unit head (A) by applying medium pressure.
 - Simultaneously, slightly turn the UVC water housing (B) to ensure that the tenons (D) slide into the grooves (E) of the bayonet closure.
 3. Turn the UVC water housing (B) clockwise against the stop and allow to engage. The engagement lug (F) will click back into the unit head (A).



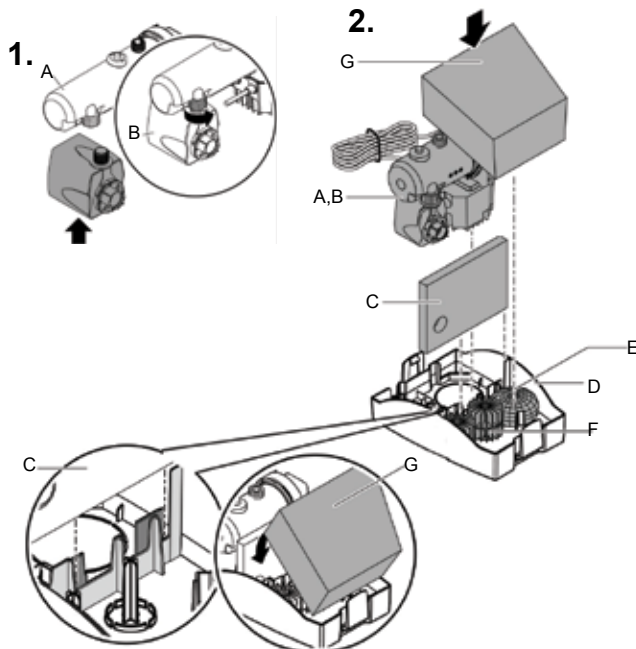
NOTE

For an optimum filter performance, we recommend to replace the UVC lamp after approx. 8000 operating hours. See section **Replace UVC lamp** before reassembling the unit.

Reassembling the unit

Filtral UVC 700

1. Attach the pump (B) to the UVC water housing (A) using the union nut.
 2. Insert fine foam filter (C) in the bottom strainer casing (D).
- Place the bio surface elements (E) and the gravel bag (F) in the bottom strainer casing (D).
 - Insert the UVC clarifying unit including the pump (A,B).
 - Insert the foam filter (G).

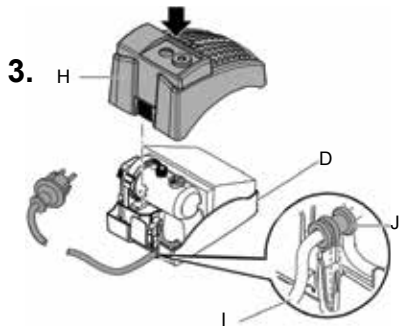


Questions, problems, missing parts?

Before returning to your retailer, call us at 1-866-627-3435, 8 a.m.-6 p.m., EST, Monday-Friday, or email us at customer@oase-livingwater.com. Or visit our website at www.oase-livingwater.com

3. Important: Guide the connection cable (I) through the cable opening at the bottom strainer casing (D) and clip with the cable kink protection (J) in the bottom strainer casing.

- Attach the top strainer casing (H) and press down onto the bottom strainer casing (D) until the clamps engage in the bottom strainer casing.



Reassembling the unit

Filtral UVC 1200

1. Attach the pump (B) to the UVC water housing (A) using the union nut.

2. Place the bio surface element (D) and gravel bags (E) in the bottom strainer casing (C).

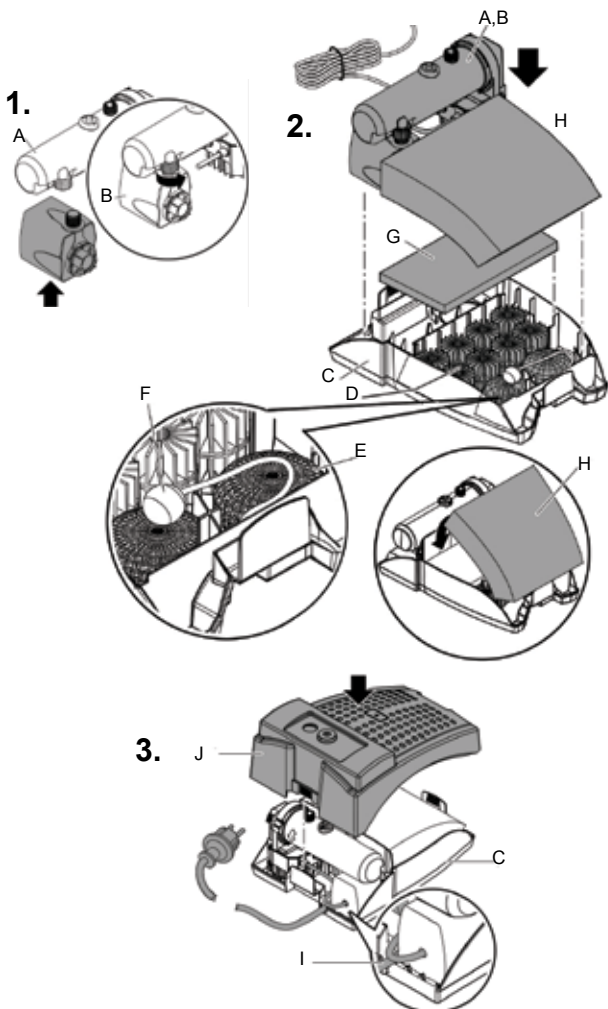
- If an air pump was installed: Place the aeration stone (F) between the gravel bags (E). Ensure that the hose is not kinked.

- Place the foam filters (G, H) in the bottom strainer casing (C) as shown.

- Insert the UVC clarifying unit including the pump (A,B).

3. Important: Lead the connection cable through the cable opening (I) in the bottom strainer casing and route the cable such that pinching is avoided.

- Attach the top strainer casing (J) and press down onto the bottom strainer casing (C) until the clamps engage in the bottom strainer casing.



UVC lamp replacement

Filtral UVC 700 / 1200

⚠ Attention! Breakable glass.
Possible consequences: Injury to your hands caused by cuts
Protective measures: Handle the quartz glass and UVC lamp with care..

⚠ CAUTION
 The ultra-violet radiation of the UVC lamp can burn your eyes and skin.
 • Never operate the UVC lamp outside its casing.
 • Never operate the UVC lamp in a casing that is defective.

⚠ Danger: Ultraviolet radiation.
 Do not expose eyes to lamp rays.
 Disconnect power before servicing or replacing lamp.
 Replace lamp only with lamp rated 7 watts (UVC 700) 9 watts (UVC 1200):
Warning: To reduce the risk of electric shock - Connect only to a circuit that is protected by a ground-fault circuit interrupter (GFCI)
For indoor and outdoor household use

• Open the UVC water housing (see section **Opening and cleaning the UVC water housing**).

1. Remove the self-tapping screw (A).
 • Unscrew the clamping screw (B) from the unit head (C) by turning counter-clockwise.

2. Pull off the quartz glass (D) and the O-ring while slightly turning the unit head (C).

3. Pull out the UVC lamp (F) and replace.

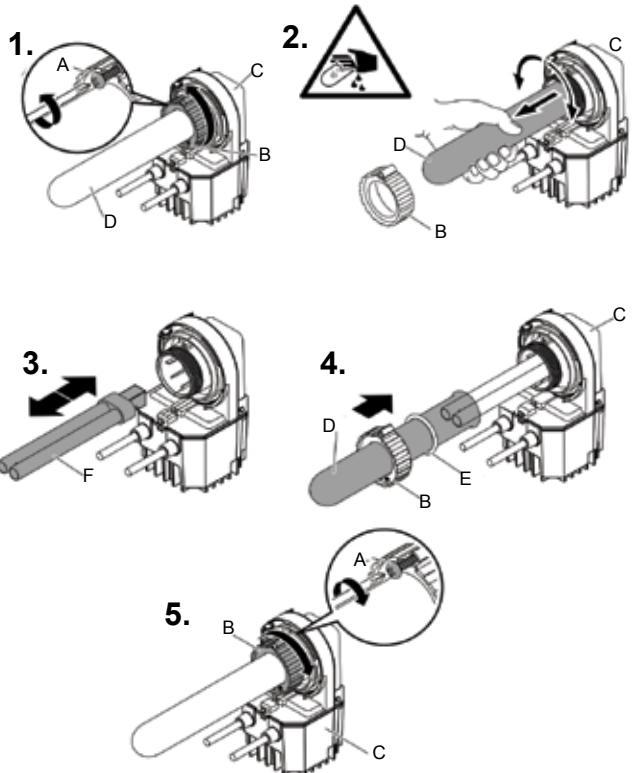
• Important: Only use lamps the identification and capacity data of which correspond to the information on the type plate.

• Check the quartz glass (D) and the O ring (E) for damage.

4. Insert the quartz glass (D) including the O ring (E) against the stop in the unit head (C).

5. Tighten the clamping screw (B) clockwise up to the stop.

• Turn in and tighten the self-tapping screw (A).
 • Close the UVC water housing (see section **Closing the UVC water housing**).



Questions, problems, missing parts?

Before returning to your retailer, call us at 1-866-627-3435, 8 a.m.-6 p.m., EST, Monday-Friday, or email us at customer-care@oase-livingwater.com. Or visit our website at www.oase-livingwater.com

Storage/Winterization

- Put the unit out of operation at water temperatures below 32 °F (0 °C) or, at the latest, when freezing temperatures are to be expected.
- Thoroughly clean the unit, check for damage.
- Store immersed in water or filled with water in a frost-free place. Do not immerse the power plug in water!
- Ensure that the storage place is inaccessible to children.

Wear parts

The UVC lamp, the different filters and the rotor are wear parts and are excluded from the warranty.

Disposal



Do not dispose of this unit with domestic waste! Disable the unit beforehand by cutting off the cables. Further information about the recycling of this product can be obtained from your local municipal authority. Only dispose of the UVC lamp by using the system provided from your local municipal authority.

Troubleshooting

Issue	Cause	Solution
The unit is not operating	Power supply not connected	Connect pump power supply
Insufficient flow, Cloudy water	Flow regulator excessively throttled	Set flow regulator
	Nozzle blocked	Unscrew and clean the nozzle insert
	Excessive pressure losses in the tubing	Reduce tubing length and connecting parts to a minimum, route hoses as straight as possible
	Intake openings blocked	Clean housing
	Filters clogged	Clean filters
	Rotor blocked	Clean rotor
	Pond extremely dirty	Remove algae and leaves from the pond, change the water
	Quartz glass tube soiled	Remove UVC clarifying unit and clean the quartz glass tube
UVC lamp does not light up	Lamp overheated. The temperature switch has switched off the lamp	The lamp will automatically switch on again once cooled down
	UVC lamp defective	Replace the UVC lamp
	UVC lamp is not correctly seated in the socket	Correctly insert the UVC lamp into the socket
Unit switches off after a short running period	Water temperature too high	Maximum water temperature: +95 F° (+35 °C)

RAPPEL

APPELEZ LE 1-866-627-3435
AVANT DE RETOURNER AU MAGASIN.


Informations sur le mode d'emploi


Bienvenue à OASE Living Water. L'achat de votre **Filtral UVC 700/1200**, constitue un excellent choix. Avant d'utiliser l'appareil, lisez les instructions attentivement et familiarisez-vous parfaitement avec l'appareil. Assurez-vous que tout travail effectué sur cet appareil et toute utilisation sont conformes aux instructions qui suivent. Suivez ces instructions à la lettre afin de vous assurer d'une manutention de l'appareil adéquate et sans risque. Conservez ces instructions dans un endroit sûr et remettez-les au nouveau propriétaire si vous transmettez l'appareil.


! PICTOGRAMMES DE PRÉCAUTIONS ET MISES EN GARDE

Pictogrammes utilisés dans ces instructions

Les pictogrammes utilisés dans ce manuel d'utilisation ont les significations suivantes :

 Risque de blessures aux personnes en raison de la tension électrique dangereuse.
Ce pictogramme indique un danger imminent pouvant entraîner la mort ou des blessures graves si les mesures appropriées ne sont pas prises.

 Risque de blessures aux personnes en raison d'un danger d'ordre général.
Ce pictogramme indique un danger imminent pouvant entraîner la mort ou des blessures graves si les mesures appropriées ne sont pas prises.

 Renseignements importants pour un bon fonctionnement.

Utilisation conforme à la finalité

Filtral UVC 700/1200, appelé par la suite «appareil», doit être utilisé exclusivement comme suit :

- Pour le nettoyage de bassins de jardin.
- Pour une exploitation avec de l'eau propre.
- Exploitation dans le respect des données techniques.

La lampe UVC intégrée dans l'appareil sert à détruire les algues et les bactéries se trouvant dans l'eau du bassin/de l'étang. Son rayonnement est également dangereux pour les yeux et la peau même à faibles doses. La lampe UVC ne doit jamais être utilisée dans un boîtier défectueux, ni en dehors de son boîtier, ni dans d'autres buts que ceux prévus par sa finalité.

Les restrictions suivantes sont valables pour l'appareil :

- Ne pas utiliser dans des piscines naturelles.
- Ne jamais refouler des liquides autres que de l'eau.
- Ne jamais utiliser sans débit d'eau.
- Ne pas utiliser à des fins commerciales ou industrielles.
- Ne pas utiliser en relation avec des produits chimiques, des produits alimentaires, des matériaux facilement inflammables ou explosifs.

Utilisation non conforme

Cet appareil peut être dangereux et causer des dommages s'il n'est pas utilisé conformément aux instructions qui suivent. Toute utilisation non conforme à ces instructions ou toute modification à l'appareil annulera la garantie.

Questions, problèmes, pièces manquantes ?

Avant de retourner chez votre détaillant, appelez au 1 866 627-3435, entre 8 h et 18 h, heure de l'Est, ou encore envoyez-nous un courriel à l'adresse customer-care@oase-livingwater.com. Vous pouvez aussi consulter notre site web au www.oase-livingwater.com

Installation

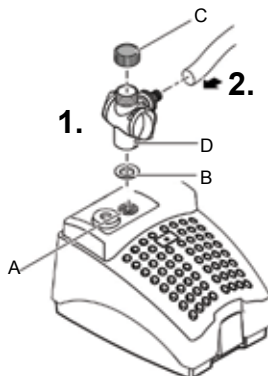
Filtral UVC 700

Important :

- L'appareil peut être utilisé avec les éléments suivants :
 - Avec l'ensemble de buses pour créer divers jeux de fontaine.
 - Avec la vanne directionnelle pour faire fonctionner un jeu d'eau supplémentaire en même temps que la buse de fontaine.
- Il est recommandé de placer l'appareil horizontalement sur le sol afin d'assurer sa stabilité.
- Ne pas soulever la pompe par son cordon d'alimentation.
- La mousse filtrante, le biomédia, les galets et la pompe sont préinstallés dans le boîtier du filtre.

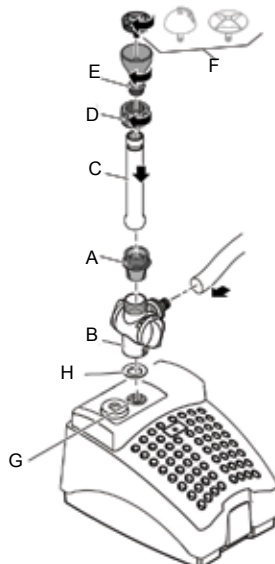
Si vous n'utilisez PAS le jeu de buses

1. Visser la vanne de dérivation (D) sur le filetage de raccordement du boîtier d'eau UVC (A) à l'aide de la rondelle (B). Fermez la sortie supérieure en utilisant le couvercle (C).
2. Raccorder la tubulure pour l'eau à la connexion latérale séparée de la vanne de dérivation.
REMARQUE : le tuyau n'est PAS INCLUS.
- Fixer l'autre extrémité du tuyau au jeu d'eau ou au cracheur désiré.



Pour l'installation à l'aide de l'ensemble de buses

1. Monter l'élément de connexion du joint à rotule (A) dans la vanne de dérivation (B).
2. Faites glisser la vis de serrage (D) vers le bas du tube et vissez-la sur l'élément de connexion du joint à rotule (A) pour fixer le tube.
3. Visser le support de buse (E). Sélectionnez un insert de buse à utiliser (F). La hauteur et la forme de la fontaine dépendent de l'insert de buse utilisé.
4. Visser l'ensemble sur le filetage de raccordement du boîtier d'eau UVC (G) à l'aide de la rondelle (H)
5. Si vous le souhaitez, raccordez la tuyauterie pour des fonctionnalités d'eau supplémentaires à la connexion latérale séparée de la vanne de dérivation.
REMARQUE : le tuyau n'est PAS INCLUS.
- Fixer l'autre extrémité du tuyau au jeu d'eau ou au cracheur désiré.



Installation (suite)

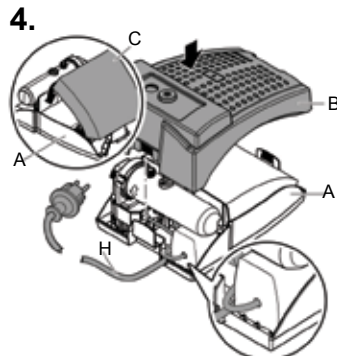
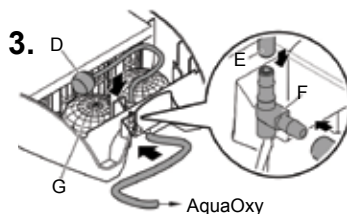
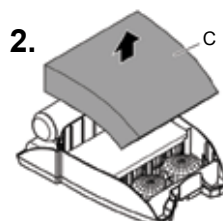
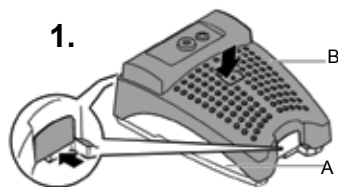
Filtral UVC 1200

Important :

- L'appareil peut être utilisé avec les éléments suivants :
 - Avec l'ensemble de buses pour créer divers jeux de fontaine.
 - Avec la vanne directionnelle pour faire fonctionner un jeu d'eau supplémentaire en même temps que la buse de fontaine.
 - Avec une pompe à air pour enrichir l'eau avec de l'oxygène supplémentaire
- Il est recommandé de placer l'appareil horizontalement sur le sol afin d'assurer sa stabilité.
- Ne pas soulever la pompe par son cordon d'alimentation.
- La mousse filtrante, le biomédia, les galets et la pompe sont préinstallés dans le boîtier du filtre.

Pour connecter la pompe à air (en option)

- La pompe à air n'est pas incluse.
 - Suivez les instructions de la pompe à air pour l'assemblage du produit.
 - OASE recommande d'utiliser la pompe à air AquaOxy.
1. Tirer sur les côtés les colliers des deux côtés du boîtier de crépine inférieur (A) et soulever le boîtier du filtre supérieur (B).
 2. Retirez le filtre en mousse supérieur (C).
 3. À l'intérieur du boîtier, connectez la pierre d'aération (D) avec une section du tuyau (E) au connecteur d'air (F).
 - Placez la pierre d'aération (D) entre les sacs de gravier (G).
 - Assurez-vous que le tuyau n'est pas plié.
 - Raccorder la pompe d'aération au connecteur d'air (F) à l'extérieur du boîtier. Lisez la documentation de la pompe d'aération.
 4. Placez le filtre en mousse (C) dans le boîtier du filtre inférieur (A).
 - Fixer le boîtier du filtre supérieur (B) et le presser sur le boîtier du filtre inférieur (A) jusqu'à ce que les colliers s'engagent dans le boîtier du filtre inférieur.
 - Important: Faites passer le câble de connexion (H) à travers l'ouverture du câble dans le boîtier inférieur de la crépine (A) et acheminez le câble de manière à éviter tout pincement.



Questions, problèmes, pièces manquantes ?

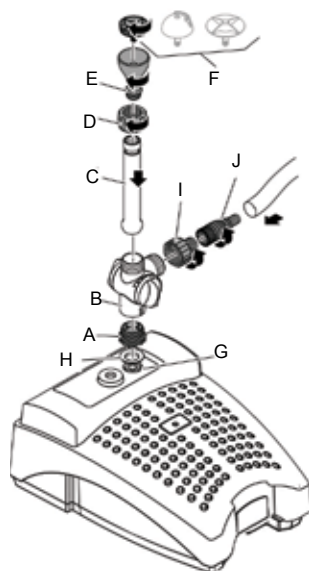
Avant de retourner chez votre détaillant, appelez au 1 866 627-3435, entre 8 h et 18 h, heure de l'Est, ou encore envoyez-nous un courriel à l'adresse customer-care@oase-livingwater.com. Vous pouvez aussi consulter notre site web au www.oase-livingwater.com

Installation (suite)

Filtral UVC 1200

Pour l'installation à l'aide de l'ensemble de buses

1. Faites glisser la vis de serrage (D) vers le bas du tube de buse (C) et vissez-la sur la vanne de dérivation (B) pour fixer le tube.
2. Visser le support de buse (E). Sélectionnez un insert de buse à utiliser (F). La hauteur et la forme de la fontaine dépendent de l'insert de buse utilisé.
3. Visser l'ensemble sur l'élément de réduction (A). Puis visser sur le filetage de raccordement du boîtier d'eau UVC (G) à l'aide de la rondelle (H).
4. Si nécessaire, vissez l'élément de réduction (I) et l'adaptateur de tuyau étagé (J) sur la sortie latérale de la vanne de dérivation (B).
 - Raccorder la tubulure pour des caractéristiques d'eau supplémentaires à la connexion latérale séparée de la vanne de dérivation
REMARQUE : le tuyau n'est PAS INCLUS..
 - Fixer l'autre extrémité du tuyau au jeu d'eau ou au cracheur désiré.

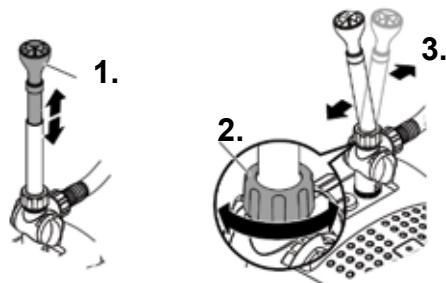


Filtral UVC 700 / 1200

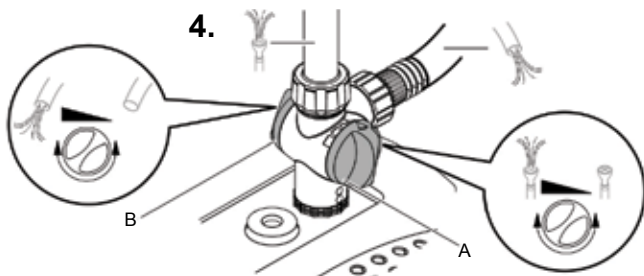
Réglage de la fontaine / caractéristique de l'eau

- Installez l'unité dans l'étang en position horizontale sur un sol ferme sans boues et assurez-vous qu'elle est complètement recouverte d'eau.

1. Tirez le tube de la buse à la longueur désirée
2. Desserrez la vis de serrage pour manoeuvrer tube de buse.
3. Aligner verticalement le tube de la buse et serrez la vis de serrage à la main



4. Ouvrez complètement le régulateur rotatif (A) pour la fontaine.
 - Le régulateur rotatif secondaire (B) permet de contrôler la fonction fontaine / eau raccordée à la sortie latérale de la vanne de dérivation
 - La recirculation d'eau supplémentaire via la sortie latérale améliore l'effet de filtrage, même si la fonction ou le cours d'eau n'est pas connecté.



Démarrage (Filtral UVC 700 / 1200)

⚠ Attention ! Tension électrique dangereuse.
Conséquences possibles : mort ou risque de blessures.

Mesures de protection :

- Les appareils et équipements électriques situés dans l'eau dont la tension nominale est $U > 12 \text{ V AC}$ ou $U > 30 \text{ V DC}$: isoler les appareils et équipements électriques (mettre hors circuit et retirer la fiche de la prise électrique) avant de pénétrer dans l'eau.
- Isoler l'appareil avant d'y effectuer tout travail.
- Sécuriser l'appareil dans le but d'empêcher une mise en marche involontaire.

⚠ Instructions de mise à la terre

Cet appareil doit être mis à la terre. En cas de défaut ou de panne, la mise à la terre réduit le risque de choc électrique en offrant une voie de moindre résistance au courant. Cet appareil possède un câble équipé d'un fil de terre et d'un connecteur doté d'un contact de protection. Ce connecteur doit être branché à une prise électrique appropriée, installée avec une liaison de mise à la terre conformément aux normes et lois en vigueur sur place. .

Avertissement

Un branchement non conforme du fil de terre peut causer des chocs électriques. Si vous n'êtes pas sûr d'avoir mis l'appareil à la terre de manière conforme, faites appel à un électricien spécialisé ou à un employé du service clients. N'apportez aucun changement au connecteur fourni avec l'appareil. Si le connecteur n'entre pas dans la prise, faites installer une prise adaptée par un technicien qualifié. .

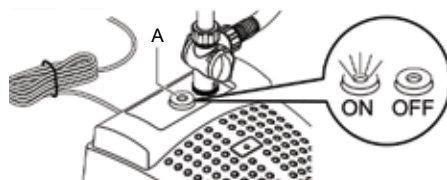
⚠ Attention ! Composants électriques fragiles.
Conséquences possibles : l'appareil sera détruit.

Mesures de protection : raccorder l'appareil à une alimentation électrique avec variateur.

Allumer : Branchez l'appareil sur le secteur.
 L'appareil s'allume immédiatement.

Arrêt : Débranchez l'appareil du secteur.

- Le voyant (A) indique l'état ON / OFF de la lampe UVC.



Entretien et nettoyage

⚠ Attention ! Tension électrique dangereuse.
Conséquences possibles : mort ou risque de blessures.

Mesures de protection :

- Les appareils et équipements électriques situés dans l'eau dont la tension nominale est $U > 12 \text{ V AC}$ ou $U > 30 \text{ V DC}$: isoler les appareils et équipements électriques (mettre hors circuit et retirer la fiche de la prise électrique) avant de pénétrer dans l'eau.
- Isoler l'appareil avant d'y effectuer tout travail.
- Sécuriser l'appareil dans le but d'empêcher une mise en marche involontaire.

⚠ ATTENTION
 Le rayonnement ultraviolet de la lampe UVC risque de brûler les yeux et la peau.

- Ne jamais faire marcher la lampe UVC en dehors du boîtier.
- Ne jamais faire marcher la lampe UVC dans un boîtier défectueux.

⚠ Danger : Rayonnement ultraviolet.

Ne jamais exposer les yeux au rayonnement de la lampe.

Toujours couper l'alimentation électrique avant la maintenance ou le remplacement de la lampe. Remplacer uniquement la lampe par une lampe d'une puissance de 7 Watts (UVC 700) 9 Watts (UVC 1200).

Avertissement : Pour minimiser le risque de choc électrique - raccorder uniquement à un circuit électrique protégé par un disjoncteur à courant de défaut. **(GFCI)**

À usage domestique, à l'intérieur et à l'extérieur

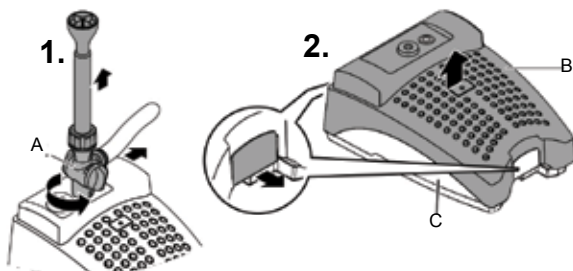
Questions, problèmes, pièces manquantes ?

Avant de retourner chez votre détaillant, appelez au 1 866 627-3435, entre 8 h et 18 h, heure de l'Est, ou encore envoyez-nous un courriel à l'adresse customer-care@oase-livingwater.com. Vous pouvez aussi consulter notre site web au www.oase-livingwater.com

Entretien et nettoyage (suite)

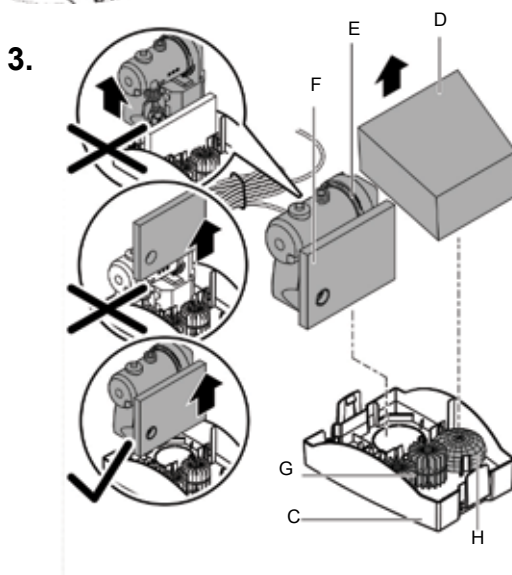
Ouverture du boîtier du filtre et nettoyage des différents filtres Filtral UVC 700

1. Dévisser la soupape de dérivation (A) et les éléments de fixation.
2. Tirer sur les côtés les colliers des deux côtés du boîtier de crépine inférieur (B) et soulever le boîtier du filtre supérieur (C)



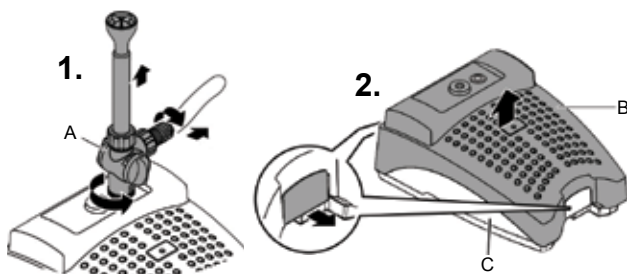
3. Retirez le filtre en mousse (D) et l'unité de clarification UVC, y compris la pompe (E) et les filtres en mousse fine (F), les éléments de surface bio (G) et le sac de gravier (H).

- Nettoyez le boîtier du filtre inférieur (B) et le boîtier du filtre supérieur (C) à l'eau claire à l'aide d'une brosse.
- Laver les filtres en mousse (D, F), les éléments de surface biologique (G) et le sac de gravier (H) sous l'eau courante..
- N'utilisez pas de produits de nettoyage chimiques car ils tueraient les micro-organismes dans les différents milieux filtrants. Au début, cela entraîne une capacité de filtrage réduite.



Filtral UVC 1200

1. Dévisser la soupape de dérivation (A) et les éléments de fixation.
2. Tirer sur les côtés les colliers des deux côtés du boîtier de crépine inférieur (B) et soulever le boîtier du filtre supérieur (C).



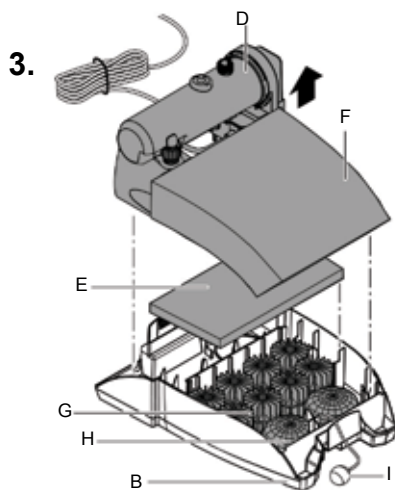
Filtral UVC 1200 (suite)

3. Retirez l'unité de clarification UVC, y compris la pompe (D), les filtres en mousse (E, F), les éléments de surface bio (G) et les sacs de gravier (H).

- Si une pompe à air a été installée: placez la pierre d'aération (I) sur le côté.

- Nettoyez le boîtier du filtre inférieur (B) et le boîtier du filtre supérieur (C) à l'eau claire à l'aide d'une brosse.

- Laver les filtres en mousse (E, F), les éléments de surface biologique (G) et le sac de gravier (H) sous l'eau courante
- N'utilisez pas de produits de nettoyage chimiques car ils tueraient les micro-organismes dans les différents milieux filtrants. Au début, cela entraîne une capacité de filtrage réduite.



Nettoyage de la pompe

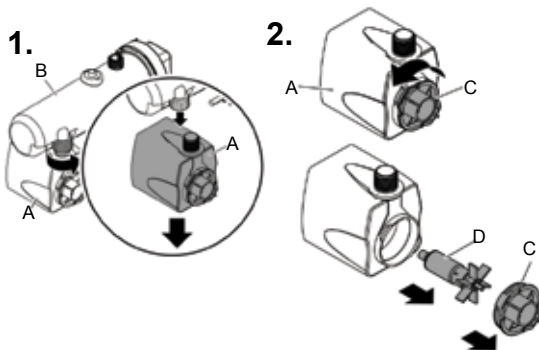
Filtral UVC 700 / 1200

1. Dévissez la pompe (A) du boîtier d'eau UVC (B). Retirez la pompe et placez le boîtier d'eau UVC sur le côté.

2. Dévissez le couvercle de la pompe (C) en tournant dans le sens inverse des aiguilles d'une montre (fermeture à baïonnette) et enlevez le rotor (D).

3. Nettoyez tous les composants de la pompe avec de l'eau propre et une brosse. Après avoir nettoyé la pompe, remonter la pompe dans l'ordre inverse

- Si vous avez l'intention de nettoyer le boîtier d'eau UVC, ne revissez pas la pompe dans le boîtier.



Ouverture du carter de filtre et nettoyage des éléments filtrants

Filtral UVC 700 / 1200

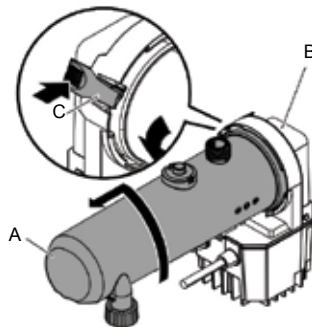
i REMARQUE

Pour des raisons de sécurité, la lampe UVC ne peut être allumée que lorsque la tête de l'unité a été correctement installée dans le boîtier

- Le boîtier d'eau UVC (A) est fixé à la tête de l'unité (B) au moyen d'une fermeture à baïonnette.

1. Appuyez sur la cosse d'engagement (C) sur la tête de l'unité (B), tournez le boîtier d'eau UVC (A) dans le sens inverse des aiguilles d'une montre et retirez avec précaution la tête de l'unité (B).

2. Nettoyez le boîtier d'eau UVC (A) sous l'eau courante. Vérifiez le verre de quartz pour les dommages et nettoyez sa face externe avec un chiffon humide.



Questions, problèmes, pièces manquantes ?

Avant de retourner chez votre détaillant, appelez au 1 866 627-3435, entre 8 h et 18 h, heure de l'Est, ou encore envoyez-nous un courriel à l'adresse customer-care@oase-livingwater.com. Vous pouvez aussi consulter notre site web au www.oase-livingwater.com

Fermeture du boîtier d'eau UVC

Filtral UVC 700 / 1200

REMARQUE

Pour des raisons de sécurité, la lampe UVC ne peut être allumée que lorsque la tête de l'unité a été correctement installée dans le boîtier

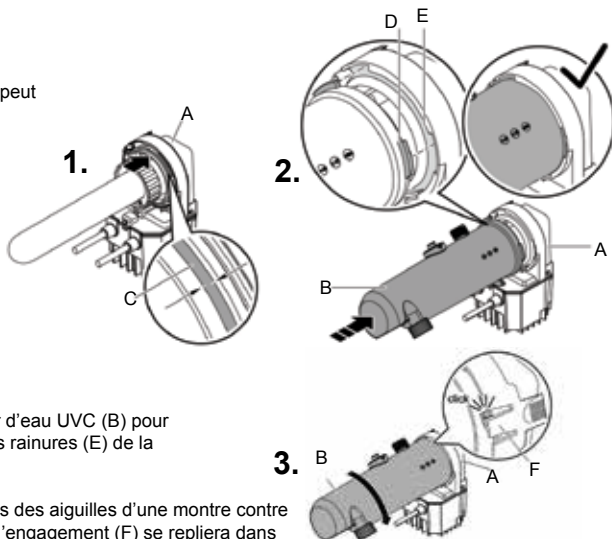
- Vérifiez que le joint torique (C) n'est pas endommagé.

1. Placez le joint torique (C) sur le renforcement sur la tête de l'unité (A).

2. Poussez prudemment le boîtier d'eau UVC (B) sur la tête de l'appareil (A) en appliquant une pression moyenne.

- Simultanément, tourner légèrement le boîtier d'eau UVC (B) pour s'assurer que les tenons (D) glissent dans les rainures (E) de la fermeture à baïonnette.

3. Tournez le boîtier d'eau UVC (B) dans le sens des aiguilles d'une montre contre la butée et laissez-le s'enclencher. La patte d'engagement (F) se repliera dans la tête de l'unité (A).



REMARQUE

Pour une performance optimale du filtre, nous recommandons de remplacer la lampe UVC après env. 8000 heures de fonctionnement. Voir la section **Remplacer la lampe UVC** avant de réassembler l'unité.

Remonter l'unité

Filtral UVC 700

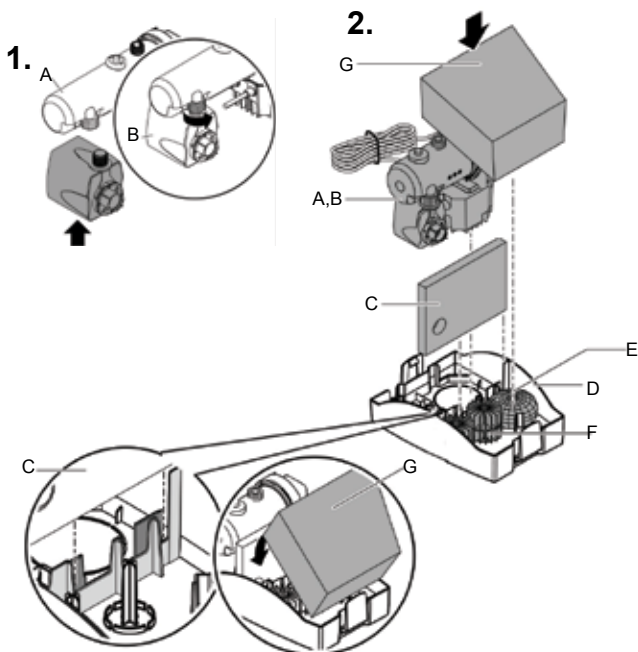
1. Fixez la pompe (B) au boîtier d'eau UVC (A) à l'aide de l'écrou-raccord.

2. Insérer le filtre en mousse fine (C) dans le boîtier du filtre inférieur (D).

- Placer les éléments de surface bio (E) et le sac de gravier (F) dans le boîtier du filtre inférieur (D).

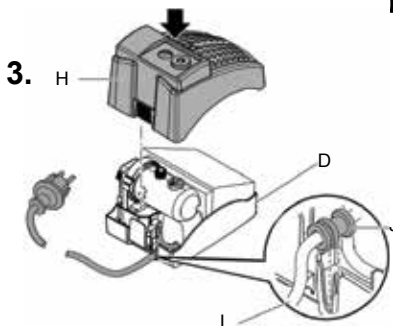
• Insérer l'unité de clarification UVC incluant la pompe (A, B).

- Insérer le filtre en mousse (G).



3. Important: Guidez le câble de connexion (I) à travers l'ouverture du câble au fond de la crépine (D) et enclenchez la protection contre le pliage du câble (J) dans le boîtier inférieur du filtre.

- Fixez le boîtier du filtre supérieur (H) et appuyez sur le boîtier du filtre inférieur (D) jusqu'à ce que les colliers s'engagent dans le boîtier du filtre inférieur.



Remonter l'unité Filtral UVC 1200

1. Fixez la pompe (B) au boîtier d'eau UVC (A) à l'aide de l'écrou-raccord.

2. Placer l'élément de surface bio (D) et les sacs de gravier (E) dans le boîtier du filtre inférieur (C)

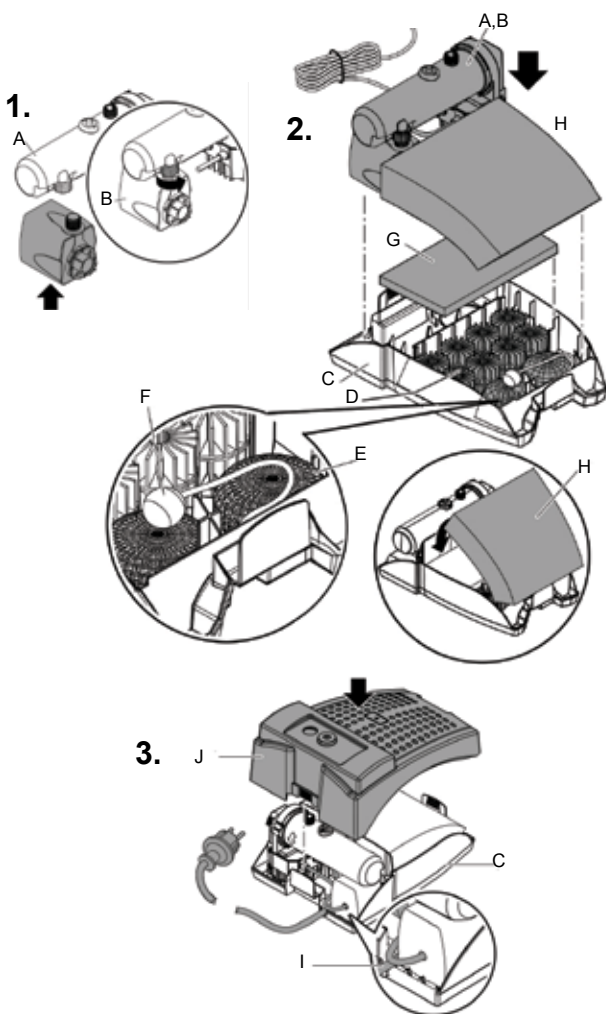
- Si une pompe de ventilation a été installée: Placez la pierre d'aération (F) entre les sacs de gravier (E). Assurez-vous que le tuyau n'est pas plié.

- Placer les filtres en mousse (G, H) dans le fond du filtre (C), comme indiqué

- Insérer l'unité de clarification UVC incluant la pompe (A, B)

3. Important: Faites passer le câble de connexion à travers l'ouverture du câble (I) dans le boîtier inférieur du filtre et acheminez le câble de manière à éviter tout pincement.

- Fixez le boîtier du filtre supérieur (J) et appuyez sur le boîtier du filtre inférieur (C) jusqu'à ce que les colliers s'engagent dans le boîtier du filtre inférieur.



Questions, problèmes, pièces manquantes ?

Avant de retourner chez votre détaillant, appelez au 1 866 627-3435, entre 8 h et 18 h, heure de l'Est, ou encore envoyez-nous un courriel à l'adresse customer-care@oase-livingwater.com. Vous pouvez aussi consulter notre site web au www.oase-livingwater.com

Remplacement de lampe UVC

Filtral UVC 700 / 1200

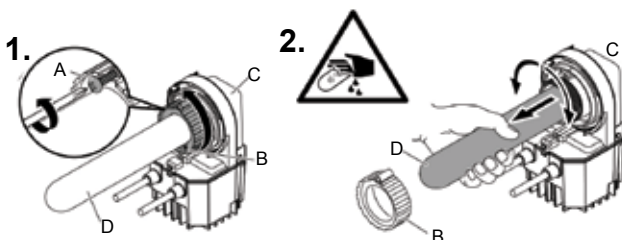
- ⚠ Attention !** Verre cassable.
Conséquences possibles : Blessure aux mains causée par des coupures
Mesures de protection : Traiter le verre de quartz et la lampe UVC avec précaution. .

- ⚠ ATTENTION**
Le rayonnement ultraviolet de la lampe UVC risque de brûler les yeux et la peau.
- Ne jamais faire marcher la lampe UVC en dehors du boîtier.
 - Ne jamais faire marcher la lampe UVC dans un boîtier défectueux.

- ⚠ Danger :** Rayonnement ultraviolet.
Ne jamais exposer les yeux au rayonnement de la lampe.
Toujours couper l'alimentation électrique avant la maintenance ou le remplacement de la lampe. Remplacer uniquement la lampe par une lampe d'une puissance de 7 Watts (UVC 700) 9 Watts (UVC 1200).
Avertissement : Pour minimiser le risque de choc électrique - raccorder uniquement à un circuit électrique protégé par un disjoncteur à courant de défaut. **(GFCI)**
À usage domestique, à l'intérieur et à l'extérieur

- Ouvrez le boîtier d'eau UVC (voir la section **Ouverture et nettoyage du boîtier d'eau UVC**).

1. Retirez la vis autotaraudeuse (A).
• Dévisser la vis de serrage (B) de la tête de l'unité (C) en la tournant dans le sens inverse des aiguilles d'une montre.



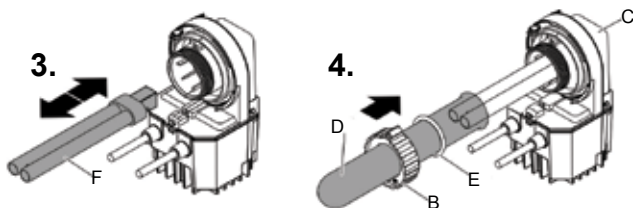
2. Retirez le verre de quartz (D) et le joint torique en tournant légèrement la tête de l'unité (C).

3. Retirez la lampe UVC (F) et remplacez-la.

- Important: N'utilisez que des lampes dont les données d'identification et de capacité correspondent aux informations figurant sur la plaque signalétique.

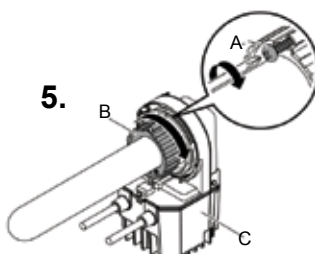
- Vérifiez que le verre de quartz (D) et le joint torique (E) ne sont pas endommagés.

4. Insérez le verre de quartz (D) avec le joint torique (E) contre la butée dans la tête de l'unité (C).



5. Serrez la vis de serrage (B) dans le sens des aiguilles d'une montre jusqu'à la butée.

- Tourner et serrer la vis autotaraudeuse (A).
- Fermer le boîtier d'eau UVC (voir la section **Fermeture du boîtier d'eau UVC**).



Entreposage/hivernage

- Mettre l'appareil hors service à des températures d'eau inférieures à 0 ° C (32 ° F) ou, au plus tard, lorsque les températures de congélation sont être attendu.
- Nettoyez soigneusement l'appareil, vérifiez qu'il n'est pas endommagé.
- Magasin immergé dans l'eau ou rempli d'eau dans un endroit sans gel. Ne plongez pas la fiche d'alimentation dans l'eau!
- Assurez-vous que le lieu de stockage est inaccessible aux enfants.

Pièces d'usure

La lampe UVC, les différents filtres et le rotor sont des pièces d'usure et sont exclus de la garantie.

Élimination



Ne pas jeter cet appareil avec les déchets domestiques ! Désactiver préalablement l'appareil en coupant les câbles. On peut obtenir plus d'informations sur le recyclage de ce produit auprès des autorités municipales. Ne jetez la lampe UVC qu'en utilisant le système fourni par votre autorité municipale locale.

Dépannage

Problème	Cause	Solution
L'appareil ne fonctionne pas	Aucune tension du réseau électrique	Vérifier la tension de réseau électrique
La capacité de refoulement ou la hauteur du jet d'eau sont insuffisantes ou irrégulières, L'eau n'est pas claire	Le débit au niveau du régulateur de débit est trop important	Régler le régulateur de débit
	L'ajutage est bouché	Dévisser l'ajutage et le nettoyer
	Pertes de pression trop importantes dans les conduites	Reduce tubing length and connecting parts to a minimum, route hoses as straight as possible
	Ouvertures d'admission bouchées	Nettoyer le carter
	Éléments filtrants encrassés	Nettoyer les éléments filtrants
	Le rotor est bloqué	Nettoyer le rotor
	L'étang/le bassin est extrêmement pollué	Retirer les algues et les feuilles du bassin/de l'étang, remplacer l'eau
	Le tube en verre à quartz est sale	Démonter l'appareil de préclarification à UVC et nettoyer le tube en verre à quartz
La lampe UVC ne fonctionne pas	La lampe est surchauffée. Le contrôleur de température a mis la lampe hors circuit	Après le refroidissement, la lampe se remet automatiquement en circuit
	La lampe UVC est défectueuse	Remplacer la lampe UVC
	La lampe UVC n'est pas placée correctement dans la douille	Insérer la lampe UVC correctement dans la douille
L'appareil s'arrête après une courte période	La température de l'eau est trop élevée	Maintenir la température maximale de l'eau de + 35 °C

Questions, problèmes, pièces manquantes ?

Avant de retourner chez votre détaillant, appelez au 1 866 627-3435, entre 8 h et 18 h, heure de l'Est, ou encore envoyez-nous un courriel à l'adresse customer-care@oase-livingwater.com. Vous pouvez aussi consulter notre site web au www.oase-livingwater.com

RECORDATORIO

LLAME AL 1-866-627-3435

ANTES DE REGRESAR A LA TIENDA.




Información sobre estas instrucciones de operación

Bienvenido a Agua Viva de OASE. Hizo una excelente decisión al comprar este producto de **Filtral UVC 700/1200**. Antes de poner la unidad en operación, por favor lea las instrucciones de uso cuidadosamente y completamente para conocer la unidad. Asegúrese que cualquier trabajo en y con esta unidad esté en concordancia con estas instrucciones. Por favor, sigue estrictamente las instrucciones incluidas para lograr manejo seguro y adecuado del producto. Mantenga estas instrucciones en un lugar seguro. Por favor, incluye las instrucciones al pasar la unidad a un dueño nuevo.

SÍMBOLOS DE ADVERTENCIA Y PRECAUCIÓN

Símbolos utilizados en estas instrucciones

Los símbolos usados en este manual de operación tienen los siguientes significados:

-  Riesgo de lesión en personas a razón de voltaje eléctrico peligroso.
Este símbolo indica un peligro inminente, el cual puede llevar a la muerte o lesiones graves en caso de no tomar las medidas apropiadas.
-  Riesgo de lesión personal causado por una fuente general de peligro.
Este símbolo indica un peligro inminente, el cual puede llevar a la muerte o lesiones graves en caso de no tomar las medidas apropiadas.
-  Información importante para garantizar operación sin problemas.

Uso conforme a lo prescrito

Filtral UVC 700/1200, denominado "equipo", se puede utilizar sólo de la forma siguiente:

- Para limpiar los estanques de jardín.
- Para la operación con agua limpia.
- Operación observando los datos técnicos.

La lámpara UVC montada en el equipo sirve para matar las algas y bacterias en el agua de estanque. Su radiación es peligrosa para los ojos y la piel, también en pequeñas dosificaciones. La lámpara UVC nunca se debe emplear en una carcasa defectuosa o fuera de su carcasa o para otros fines.

Para el equipo son válidas las siguientes limitaciones:

- No emplee en piscinas.
- No transporte nunca otros líquidos que no sea el agua.
- No opere nunca sin circulación de agua.
- No emplee el equipo para fines industriales.
- No emplee el equipo en combinación con productos químicos, alimentos y sustancias fácilmente inflamables o explosivas.

Uso no conforme a lo prescrito

Si no se cumplen las indicaciones contenidas en estas instrucciones de uso expira todo tipo de garantía y responsabilidad y se pueden producir peligros para las personas.

Instalación

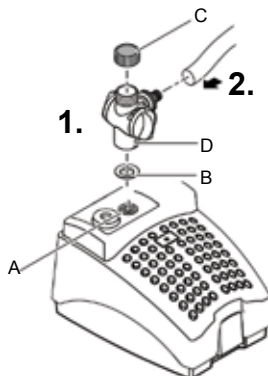
Filtral UVC 700

Importante:

- La unidad se puede usar con lo siguiente:
 - Con la boquilla configurada para crear varias pantallas de fuente.
 - Con la válvula de derivación, lo que permite operar una función de agua.
- Se recomienda colocar la unidad horizontalmente en el suelo para garantizar su posición estable.
- No levante la unidad por su cable de alimentación.
- La espuma del filtro de la unidad, biomedica, UVC y la bomba están preinstaladas en la carcasa del filtro.

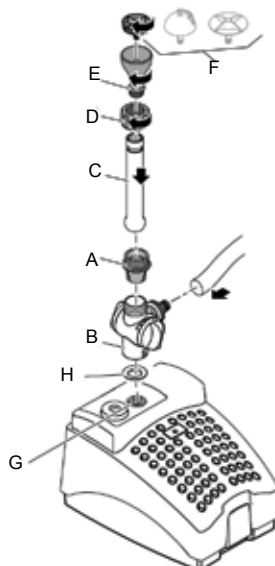
Si NO usa el conjunto de boquillas

1. Atornille la válvula de derivación (D) en la rosca de conexión de la carcasa de agua UVC (A) con la arandela (B). Cierre la salida superior con la tapa (C).
2. Conecte el tubo para las características del agua a la conexión lateral regulada por separado de la válvula de derivación.
NOTA: el tubo NO ESTÁ INCLUIDO.
- Conectar el tubo de agua deseada característica o surtidor.



Para la instalación usando el conjunto de boquillas

1. Monte el elemento de conexión para la rótula (A) en la válvula de derivación (B).
2. Deslice el tornillo de sujeción (D) hacia abajo del tubo y atornille el elemento de conexión para la junta esférica (A) para asegurar el tubo.
3. Atornille el montaje de la boquilla (E). Seleccione una inserción de boquilla para usar (F). La altura y la forma de la fuente dependen de la inserción de la boquilla utilizada.
4. Atornille el conjunto en la conexión del hilo de la carcasa de agua UVC (G) con la arandela (H).
5. Si lo desea, conecte la tubería para funciones de agua adicionales a la conexión lateral regulada por separado de la válvula de derivación.
NOTA: el tubo NO ESTÁ INCLUIDO.
- Conectar el tubo de agua deseada característica o surtidor.



¿Preguntas, problemas, partes faltantes?

Antes de regresar con su vendedor, llame al 1-866-627-3435 de 8 am a 6 pm, hora del este, de lunes a viernes, o envíenos un correo electrónico a customercare@oase-livingwater.com. O visite nuestra página web www.oase-livingwater.com

Instalación (siguió)

Filtral UVC 1200

Importante:

- La unidad se puede usar con lo siguiente:
 - Con la boquilla configurada para crear varias pantallas de fuente.
 - Con la válvula de derivación, lo que permite operar una función de agua adicional simultáneamente con la boquilla de la fuente.
 - Con una bomba de ventilación para enriquecer el agua con oxígeno adicional.
- Se recomienda colocar la unidad horizontalmente en el suelo para garantizar su posición estable.
- No levante la unidad por su cable de alimentación.
- La espuma del filtro de la unidad, biomedica, UVC y la bomba están preinstaladas en la carcasa del filtro.

Para conectar la bomba de aire (opcional)

- La bomba de aire no está incluida.
- Siga las instrucciones de la bomba de aire para el ensamblaje del producto.
- OASE recomienda usar la bomba de aire AquaOxy.

1. Tire de las abrazaderas de ambos lados de la carcasa del filtro inferior (A) hacia un lado y levante la carcasa del filtro superior (B).

2. Retire el filtro superior de espuma (C).

3. Dentro de la carcasa, conecte la piedra de aireación (D) con una sección de la manguera (E) al conector de aire (F).

• Coloque la piedra de aireación (D) entre las bolsas de grava (G).

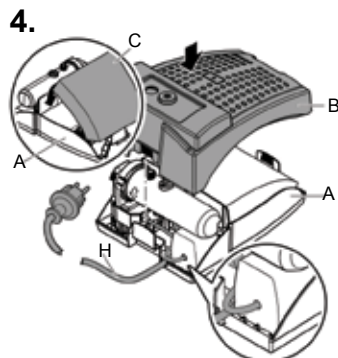
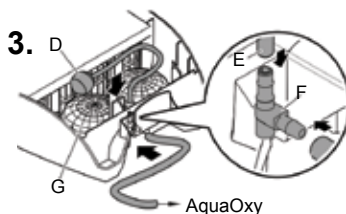
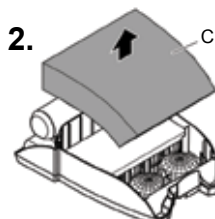
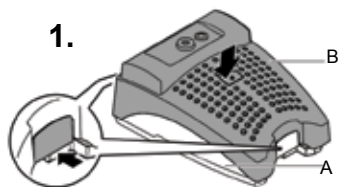
• Asegúrese de que la manguera no esté doblada.

• Conecte la bomba de aireación al conector de aire (F) fuera de la carcasa. Lea la documentación de la bomba de aireación.

4. Coloque el filtro de espuma (C) en la carcasa del filtro inferior (A).

• Coloque la carcasa del filtro superior (B) y presiónela sobre la carcasa del filtro inferior (A) hasta que las abrazaderas se acoplen a la carcasa del filtro inferior.

• Importante: Pase el cable de conexión (H) a través de la abertura del cable en la carcasa del filtro inferior (A) y pase el cable de forma que se evite el pellizco.

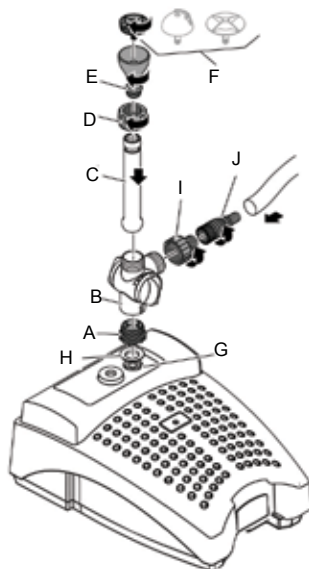


Instalación (siguió)

Filtral UVC 1200

Para la instalación usando el conjunto de boquillas

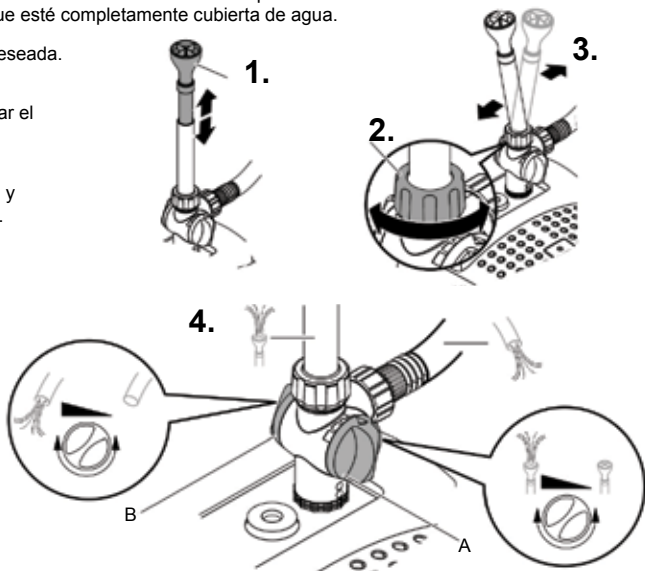
1. Deslice el tornillo de sujeción (D) por el tubo de la boquilla (C) y atornille a la válvula de derivación (B) para asegurar el tubo.
2. Atornille el montaje de la boquilla (E). Seleccione una inserción de boquilla para usar (F). La altura y la forma de la fuente dependen de la inserción de la boquilla utilizada.
3. Atornille el conjunto en el elemento de reducción (A). A continuación, atornille a la rosca de conexión de la carcasa de agua UVC (G) con la arandela (H).
4. Si lo desea, atornille el elemento de reducción (I) y el adaptador de manguera escalonado (J) en la salida lateral de la válvula de derivación (B).
 - Conecte la tubería para características de agua adicionales a la conexión lateral regulada por separado de la válvula de derivación.
NOTA: el tubo NO ESTÁ INCLUIDO.
 - Conectar el tubo de agua deseada característica o surtidor.



Filtral UVC 700 / 1200

Configuración de la fuente / fuente de agua

- Instale la unidad en el estanque en una posición horizontal sobre una superficie firme y sin sedimentos, y asegúrese de que esté completamente cubierta de agua.
1. Tire del tubo de la boquilla a la longitud deseada.
 2. Afloje el tornillo de sujeción para maniobrar el tubo de la boquilla.
 3. Alinee verticalmente el tubo de la boquilla y apriete el tornillo de sujeción con la mano.
 4. Abra completamente el regulador giratorio (A) para la fuente.
 - El regulador giratorio secundario (B) se usa para controlar la fuente / fuente de agua conectada a la salida lateral de la válvula de derivación.
 - La recirculación de agua adicional a través de la salida lateral mejora el efecto de filtrado, incluso si la característica o el curso de agua no está conectado.



¿Preguntas, problemas, partes faltantes?

Antes de regresar con su vendedor, llame al 1-866-627-3435 de 8 am a 6 pm, hora del este, de lunes a viernes, o envíenos un correo electrónico a customercare@oase-livingwater.com. O visite nuestra página web www.oase-livingwater.com

Inicio (Filtral UVC 700 / 1200)

⚠ Atención! Voltaje eléctrico peligroso.
Posibles consecuencias: Muerte o lesiones graves.

Medidas de protección:

- Unidades eléctricas e instalaciones con tensión nominal de $U > 12 \text{ V AC}$ o $U > 30 \text{ V DC}$ ubicadas en el agua: Aísle las unidades e instalaciones (apague o desconecte del suministro de la corriente) antes de meter la mano en el agua.
- Aísle la unidad antes de iniciar cualquier tipo de trabajo.
- Proteja la unidad previniendo que se encienda por error.

⚠ Instrucción de conexión a tierra

El equipo se tiene que conectar a tierra. En caso de un fallo o una avería, la conexión a tierra reduce el riesgo de una electrocución, ofreciéndole a la corriente el recorrido de resistencia inferior. Este equipo tiene un cable que está equipado con un conductor de puesta a tierra y una clavija con contacto de protección. La clavija se tiene que enchufar en un tomacorriente apropiado que esté instalado y conectado a tierra con-forme a todas las normas y leyes válidas en el lugar.

Advertencia

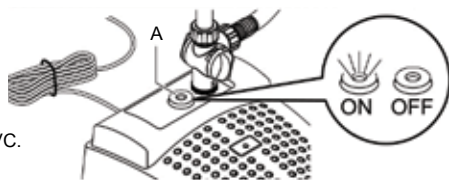
Una conexión inadecuada del conductor de puesta a tierra puede producir electrocuciones. Si existen dudas sobre la conexión a tierra correcta del equipo consulte a un electricista especializado o una persona del servicio a clientes. No realice nunca modificaciones en la clavija que se suministra junto con el equipo. Si la clavija no encaja en el tomacorriente, encargue la instalación de un tomacorriente apropiado a un técnico cualificado..

⚠ ¡Atención! Componentes eléctricos sensibles.
Posibles consecuencias: Destrucción del equipo.

Medidas de protección: No conecte el equipo a una alimentación de corriente con regulación devoltaje.

Para encender: Conecte el cable eléctrico en el enchufe.
La unidad se enciende inmediatamente.

Para apagar: Desenchufe el cable eléctrico.



- La luz indicadora (A) indica el estado ON / OFF de la lámpara UVC.

Mantenimiento y Limpieza

⚠ Atención! Voltaje eléctrico peligroso.
Posibles consecuencias: Muerte o lesiones graves.

Medidas de protección:

- Unidades eléctricas e instalaciones con tensión nominal de $U > 12 \text{ V AC}$ o $U > 30 \text{ V DC}$ ubicadas en el agua: Aísle las unidades e instalaciones (apague o desconecte del suministro de la corriente) antes de meter la mano en el agua.
- Aísle la unidad antes de iniciar cualquier tipo de trabajo.
- Proteja la unidad previniendo que se encienda por error.

⚠ CUIDADO

La radiación ultravioleta de la lámpara UVC puede quemar los ojos o la piel..

- No opere nunca la lámpara UVC fuera de la carcasa.
- No opere nunca la lámpara UVC en una carcasa defectuosa.

⚠ Peligro: Radiación ultravioleta

Nunca exponga los ojos a la radiación de la lámpara.

Siempre interrumpa la alimentación de corriente antes de realizar trabajos de mantenimiento o sustituir la lámpara.

Sustituya la lámpara sólo por una lámpara con una potencia de 7 vatios (UVC 700) 9 vatios (UVC 1200):

Aviso: Para evitar el peligro de una electrocución, conecte el equipo sólo a un circuito de corriente protegido mediante un interruptor diferencial. (GFCI)

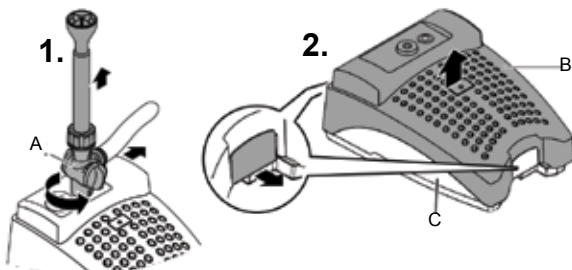
Para el uso doméstico interior y exterior

Mantenimiento y Limpieza (siguió)

Apertura de la carcasa del filtro y limpieza de los diferentes filtros

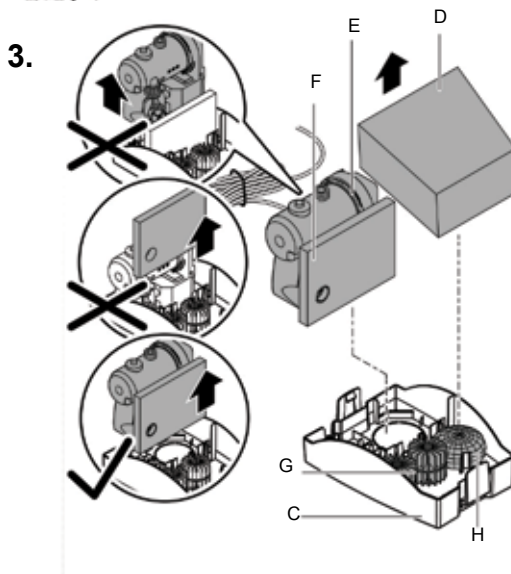
Filtral UVC 700

1. Desenrosque la válvula de derivación (A) y los elementos de fijación.



2. Tire de las abrazaderas de ambos lados de la carcasa del filtro inferior (B) hacia un lado y levante la carcasa del filtro superior (C)

3. Retire el filtro de espuma (D) y la unidad clarificadora UVC, incluida la bomba (E), y los filtros de espuma fina (F), los elementos biológicos de la superficie (G) y la bolsa de grava (H)



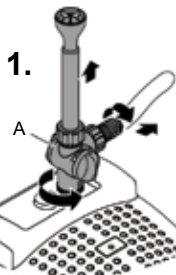
- Limpie la carcasa del filtro inferior (B) y la carcasa del filtro superior (C) con agua limpia con un cepillo.

- Lave los filtros de espuma (D, F), los elementos de la superficie biológica (G) y la bolsa de grava (H) con agua corriente.

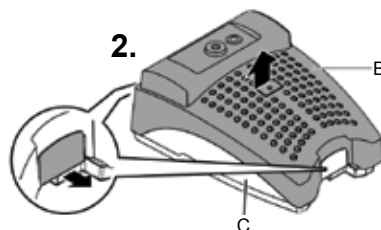
- No utilice productos químicos de limpieza ya que matarían a los microorganismos en los diferentes medios filtrantes. Al principio, esto implica una capacidad de filtro reducida.

Filtral UVC 1200

1. Desenrosque la válvula de derivación (A) y los elementos de fijación.



2. Tire de las abrazaderas de ambos lados de la carcasa del filtro inferior (B) hacia un lado y levante la carcasa del filtro superior (C).



¿Preguntas, problemas, partes faltantes?

Antes de regresar con su vendedor, llame al 1-866-627-3435 de 8 am a 6 pm, hora del este, de lunes a viernes, o envíenos un correo electrónico a customercare@oase-livingwater.com. O visite nuestra página web www.oase-livingwater.com

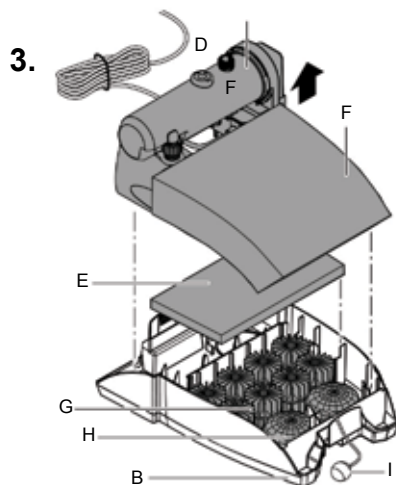
Filtral UVC 1200 (siguió.)

3. Retire la unidad clarificadora UVC, incluida la bomba (D), los filtros de espuma (E, F), los elementos biológicos de la superficie (G) y las bolsas de grava (H).

- Si se instaló una bomba de aire: coloque la piedra de aireación (I) hacia un lado.

- Limpie la carcasa del filtro inferior (B) y la carcasa del filtro superior (C) con agua limpia con un cepillo.

- Lave los filtros de espuma (E, F), los elementos de superficie biológica (G) y la bolsa de grava (H) con agua corriente.
- No utilice productos químicos de limpieza ya que matarían a los microorganismos en los diferentes medios filtrantes. Al principio, esto implica una capacidad de filtro reducida.



Limpieza de la bomba

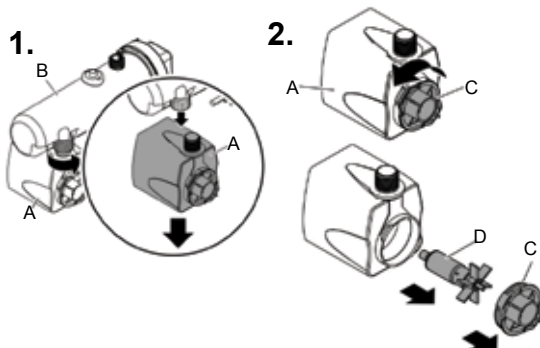
Filtral UVC 700 / 1200

1. Desenrosque la bomba (A) de la carcasa de agua UVC (B). Retire la bomba y coloque la carcasa de agua UVC hacia un lado.

2. Desatornille la tapa de la bomba (C) girándola en sentido antihorario (cierre de bayoneta) y retire el rotor (D).

3. Limpie todos los componentes de la bomba con agua limpia y un cepillo. Después de limpiar la bomba, vuelva a armarla en el orden inverso.

- Si tiene la intención de limpiar la carcasa de agua UVC, no atornille la bomba en la carcasa.



Apertura y limpieza de la carcasa de agua UVC

Filtral UVC 700 / 1200



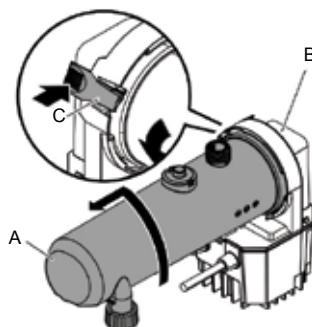
NOTA

Por razones de seguridad, la lámpara UVC solo se puede encender cuando la cabeza de la unidad se ha colocado correctamente en la carcasa.

- La carcasa de agua UVC (A) está fijada a la cabeza de la unidad (B) por medio de un cierre de bayoneta.

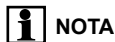
1. Presione sobre la orejeta de enganche (C) en el cabezal de la unidad (B), gire la carcasa de agua UVC (A) en sentido antihorario y extráigala cuidadosamente de la cabeza de la unidad (B).

2. Limpie la carcasa de agua UVC (A) con agua corriente. Controle el daño del cristal de cuarzo y limpie su cara externa con un paño húmedo.



Cerrar la carcasa de agua UVC

Filtral UVC 700 / 1200



NOTA

Por razones de seguridad, la lámpara UVC solo se puede encender cuando la cabeza de la unidad se ha colocado correctamente en la carcasa

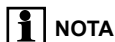
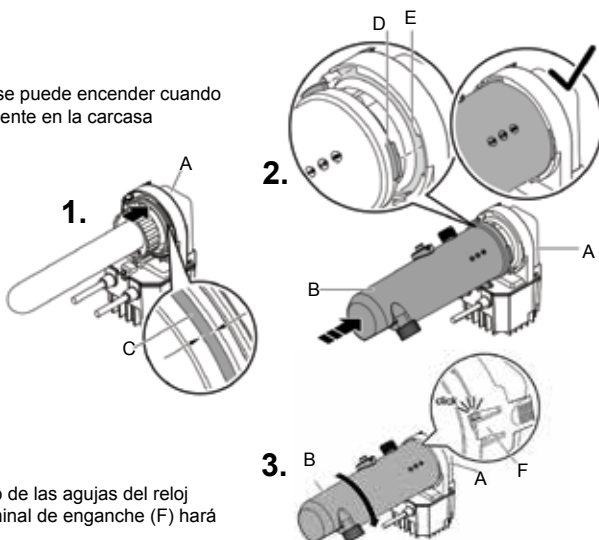
- Verifique que el anillo O (C) no esté dañado.

1. Coloque la junta tórica (C) en el rebaje en el cabezal de la unidad (A).

2. Presione con cuidado la carcasa de agua UVC (B) en el cabezal de la unidad (A) aplicando presión media.

- Simultáneamente, gire ligeramente la carcasa de agua UVC (B) para asegurarse de que las espigas (D) se deslizan en las ranuras (E) del cierre de bayoneta.

3. Gire la carcasa de agua UVC (B) en el sentido de las agujas del reloj contra el tope y permita que se acople. El terminal de enganche (F) hará clic de nuevo en el cabezal de la unidad (A)



NOTA

Para un rendimiento óptimo del filtro, recomendamos reemplazar la lámpara UVC después de aprox. 8000 horas de funcionamiento. Ver la sección **Reemplazar la lámpara UVC** antes de volver a armar la unidad.

Reensamblar la unidad

Filtral UVC 700

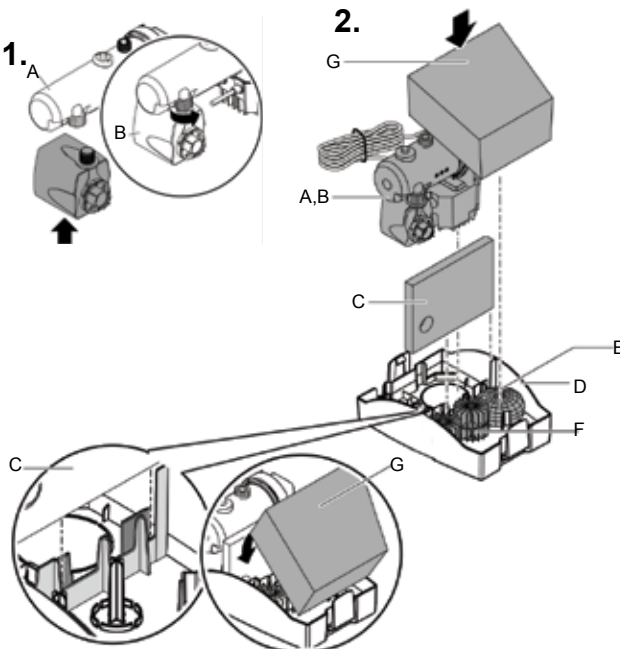
1. Conecte la bomba (B) a la carcasa de agua UVC (A) con la tuerca de unión.

2. Inserte el filtro de espuma fina (C) en la carcasa del filtro inferior (D).

- Coloque los elementos biológicos de superficie (E) y la bolsa de grava (F) en la carcasa del filtro inferior (D).

• Inserte la unidad de clarificación UVC, incluida la bomba (A, B).

- Inserte el filtro de espuma (G).

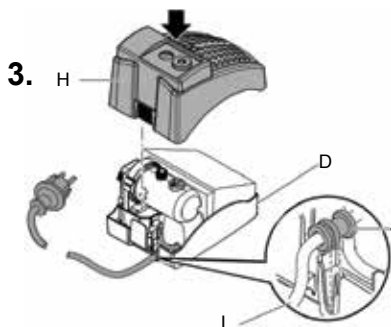


¿Preguntas, problemas, partes faltantes?

Antes de regresar con su vendedor, llame al 1-866-627-3435 de 8 am a 6 pm, hora del este, de lunes a viernes, o envíenos un correo electrónico a customercare@oase-livingwater.com. O visite nuestra página web www.oase-livingwater.com

3. Importante: Guíe el cable de conexión (I) a través de la abertura del cable en la carcasa del filtro inferior (D) y sujételo con la protección contra torceduras del cable (J) en la carcasa del filtro inferior.

- Coloque la carcasa del filtro superior (H) y presione hacia abajo sobre la carcasa del filtro inferior (D) hasta que las abrazaderas se acoplen a la carcasa del filtro inferior.



Reensamblar la unidad

Filtral UVC 1200

1. Conecte la bomba (B) a la carcasa de agua UVC (A) con la tuerca de unión.

2. Coloque el elemento biológico de superficie (D) y las bolsas de grava (E) en la carcasa del filtro inferior (C).

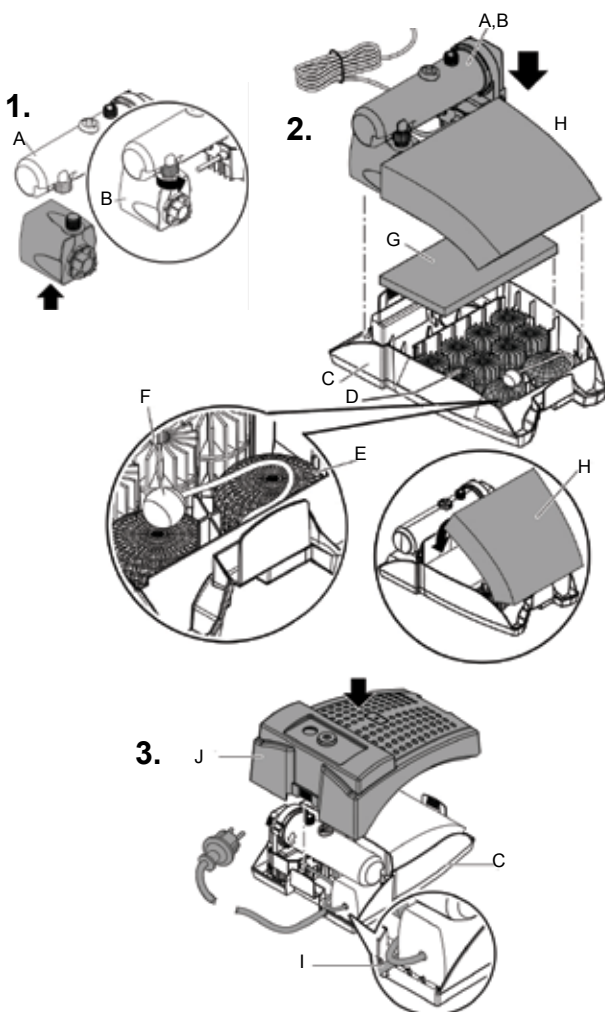
- Si se instaló una bomba de aire: Coloque la piedra de aireación (F) entre las bolsas de grava (E). Asegúrese de que la manguera no esté doblada.

- Coloque los filtros de espuma (G, H) en la carcasa del filtro inferior (C) como se muestra.

- Inserte la unidad de clarificación UVC, incluida la bomba (A, B).

3. Importante: Pase el cable de conexión a través de la abertura del cable (I) en la carcasa del filtro inferior y pase el cable de forma que se evite el pellizco.

- Coloque la carcasa del filtro superior (J) y presione hacia abajo sobre la carcasa del filtro inferior (C) hasta que las abrazaderas se acoplen a la carcasa del filtro inferior.



Reemplazo de la lámpara UVC

Filtral UVC 700 / 1200

⚠ CUIDADO ! Breakable glass.
Posibles consecuencias: El vidrio de cuarzo y la lámpara UVC se pueden romper y ocasionar lesiones de corte.
Medidas de protección: Manipule con cuidado el vidrio de cuarzo y la lámpara UVC.

⚠ CUIDADO
La radiación ultravioleta de la lámpara UVC puede quemar los ojos o la piel.
• No opere nunca la lámpara UVC fuera de la carcasa.
• No opere nunca la lámpara UVC en una carcasa defectuosa.

⚠ Peligro: Radiación ultravioleta
Nunca exponga los ojos a la radiación de la lámpara.
Siempre interrumpa la alimentación de corriente antes de realizar trabajos de mantenimiento o sustituir la lámpara.
Sustituya la lámpara sólo por una lámpara con una potencia de 7 vatios (UVC 700) 9 vatios (UVC 1200):
Aviso: Para evitar el peligro de una electrocución, conecte el equipo sólo a un circuito de corriente prote-gido mediante un interruptor diferencial. **(GFCI)**
Para el uso doméstico interior y exterior

• Abra la carcasa de agua UVC (consulte la sección **Apertura y limpieza de la carcasa de agua de UVC**).

1. Retire el tornillo autorroscante (A).
• Desatornille el tornillo de sujeción (B) del cabezal de la unidad (C) girándolo en sentido contrario a las agujas del reloj.

2. Retire el cristal de cuarzo (D) y la junta tórica mientras gira ligeramente la cabeza de la unidad (C).

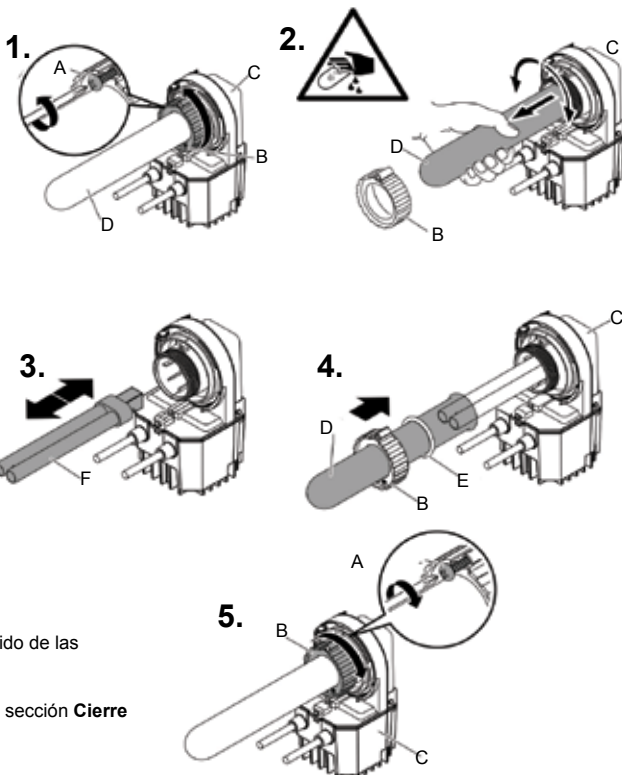
3. Saque la lámpara UVC (F) y reemplácela.

• Importante: utilice únicamente lámparas cuyos datos de identificación y capacidad correspondan a la información de la placa de características.

• Verifique que el vidrio de cuarzo (D) y la junta tórica (E) no estén dañados.

4. Inserte el vidrio de cuarzo (D) que incluye la junta tórica (E) contra el tope en la cabeza de la unidad (C).

5. Apriete el tornillo de sujeción (B) en el sentido de las agujas del reloj hasta el tope
• Gire y apriete el tornillo autorroscante (A).
• Cierre la carcasa de agua UVC (consulte la sección **Cierre de la carcasa de agua UVC**).



¿Preguntas, problemas, partes faltantes?

Antes de regresar con su vendedor, llame al 1-866-627-3435 de 8 am a 6 pm, hora del este, de lunes a viernes, o envíenos un correo electrónico a customercare@oase-livingwater.com. O visite nuestra página web www.oase-livingwater.com

Almacenamiento/Acondicionamiento para el invierno

- Ponga la unidad fuera de servicio a temperaturas del agua por debajo de 32 ° F (0 ° C) o, a más tardar, cuando las temperaturas de congelación sean se espera.
- Limpie a fondo la unidad, verifique si está dañada.
- Almacene sumergido en agua o lleno de agua en un lugar libre de escarcha. ¡No sumerja el enchufe en agua!
- Asegúrese de que el lugar de almacenamiento no sea accesible para los niños

Componentes de desgaste

La lámpara UVC, los diferentes filtros y el rotor son piezas de desgaste y están excluidos de la garantía.

Desecho



¡No deseche esta unidad en conjunto con la basura doméstica! Primero deshabilite la unidad al cortar los cables. Puede obtener información adicional sobre el reciclaje de este producto de su autoridad municipal local. Solo deseche la lámpara UVC utilizando el sistema provisto por su autoridad municipal local.

Resolución de problemas







Problema	Causa	Solución
El equipo no funciona	No hay tensión de alimentación	Compruebe la tensión de alimentación
La capacidad de elevación o la altura del surtidor es insuficiente o irregular Agua turbia	Regulador del paso muy cerrado	Ajuste el regulador de paso
	Boquilla obstruida	Desatornille y limpie el elemento de surtidor
	Pérdidas excesivas de presión en las tuberías	Reduzca la longitud de los tubos flexibles y los adaptadores a un mínimo. Tienda los tubos flexibles lo más recto posible.
	Aberturas de entrada obstruidas	Limpie la carcasa
	Medios filtrantes sucios	Limpie los medios filtrantes
	Rotor bloqueado	Limpie el rotor
	Estanque extremadamente sucio	Elimine las algas y hojas del estanque. Cambie el agua
	Tubo de vidrio cuarzoso sucio	Desmunte el equipo preclarificador UVC y limpie el tubo de vidrio cuarzoso
La lámpara UVC no se ilumina	Lámpara sobrecalentada. El controlador de temperatura desconectó la lámpara	La lámpara se conecta automáticamente después del enfriamiento.
	Lámpara UVC defectuosa	Sustituya la lámpara UVC
	La lámpara UVC no está correctamente colocada en el portalámpara	Coloque la lámpara UVC correctamente en el portalámpara
El equipo se desconecta después de un corto tiempo de funcionamiento	Temperatura del agua muy alta	Mantenga la temperatura máxima del agua de +35 °C.

EN	Model	Model no.	Rated voltage	Power consumption	Dimensions	Max. flow rate	Max. head height	Connections	Power cord length
FR	Modèle	Numéro de modèle	Tension nominale	Consommation électrique	Dimension	Capacité de débit	Hauteur maximale de la tête	Branchement pour flexibles	Longueur du cordon
SP	Modelo	No. de modelo	Tensión nominal	Consumo eléctrico	Dimensiones	Tasa de flujo máxima	Columna de agua	Conexiones para tubería	Longitud de cable
Filtral UVC	700	40349	110-120V / 60 Hz	30 W / 0.3 A	9.7 x 7.2 x 6.3 in. 246 x 183 x 160 mm	250 GPH 950 LPH	max. 4 ft max. 1.2 m	1/2" 13 mm	15 ft. 4.6 m
	1200	42749	110-120V / 60 Hz	52 W / 1 A	15 x 11.4 x 6.3 in. 381 x 290 x 160 mm	500 GPH 2200 LPH	max. 7.2 ft max. 2.2 m	1/2" 13 mm	15 ft. 4.6 m



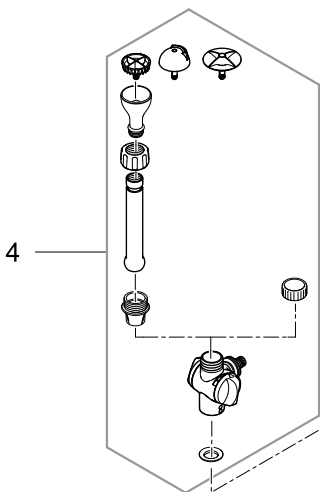
Filtral UVC 1200		
EN	Nozzle display dimensions	magma
FR	Dimensions d'affichage de buse	vulkan
SP	Dimensiones de la pantalla de la boquilla	lava
		lava
		vulkan
		magma

Filtral UVC 700		
EN	Nozzle display dimensions	magma
FR	Dimensions d'affichage de buse	vulkan
SP	Dimensiones de la pantalla de la boquilla	lava
		lava
		vulkan
		magma

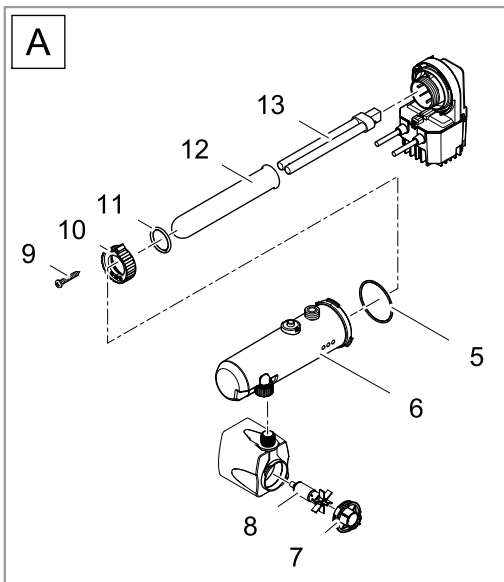
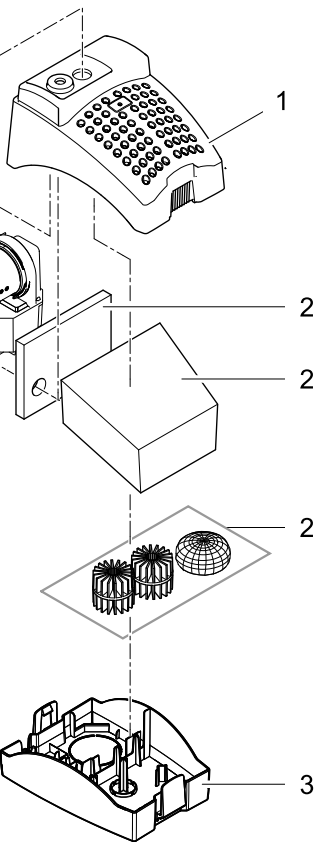
	IP 68 					
EN	Dust tight. Submersible to 6.6 ft (2 m) depth.	Attention! Dangerous UVC radiation!	Remove the unit at temperatures below zero (centigrade).	Breakable, handle with care. Attention! Risk of injury from cuts.	Do not dispose of together with household waste!	Attention! Read the operating instructions
FR	Imperméable aux poussières. Étanche à l'eau jusqu'à une profondeur de 6.6 ft (2 m).	Attention! Rayonnement UVC dangereux!	Retirez l'appareil en cas de gel	Fragile, manipuler avec précaution. Attention! Danger de coupures.	Ne pas recycler dans les ordures ménagères!	Attention! Lire la notice d'emploi
SP	A prueba de polvo. Impermeable al agua hasta 6.6 ft (2 m) de profundidad.	¡Atención! Radiación UVC peligrosa.	Desinstale el equipo en caso de heladas.	Frágil, trate con cuidado. ¡Atención! Peligro de lesiones de corte.	¡No deseche el equipo en la basura doméstica!	¡Atención! Lea las instrucciones de uso

Filtral 700 UVC

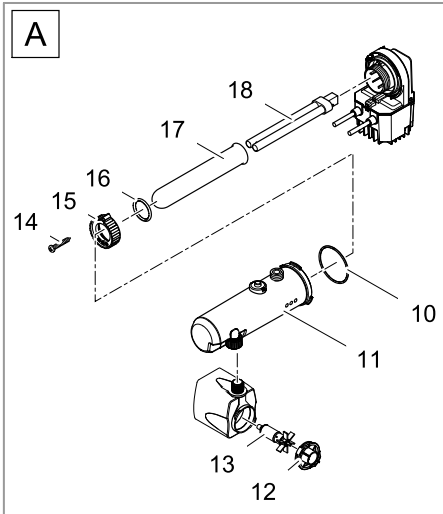
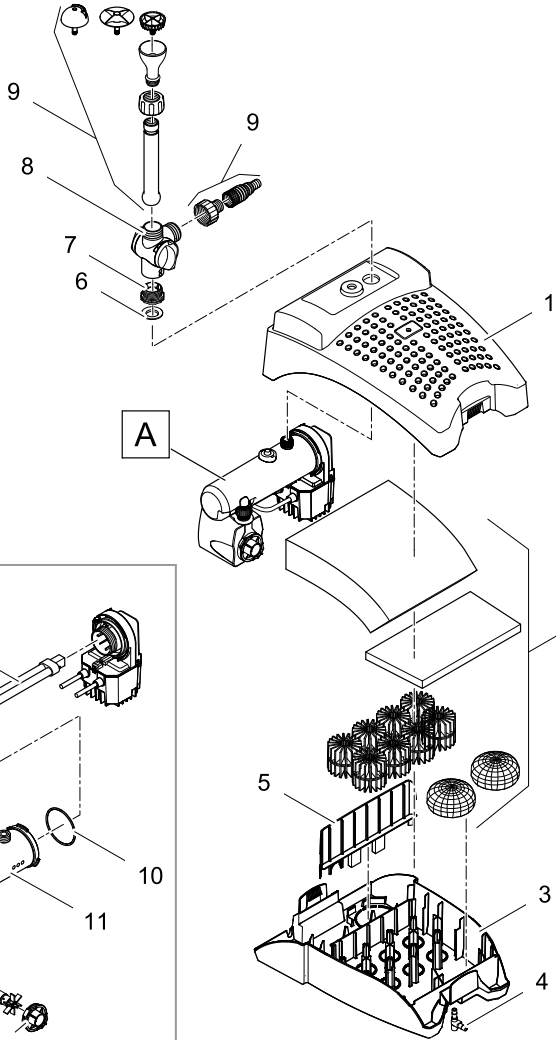
Pos.	
1	14041
2	40968
3	13623
4	13643
5	28553
6	13965
7	35762
8	40981
9	27891
10	12049
11	19475
12	14193
13	40963
A	40979



A



Filtral 1200 UVC	
1	29281
2	37580
3	11349
4	35087
5	29386
6	29388
7	13427
8	43290
9	35717
10	28553
11	35872
12	44091
13	18013
14	27891
15	12049
16	19475
17	13312
18	40964
A	43448





OASE North America INC. · www.oase-livingwater.com

42775/12-17